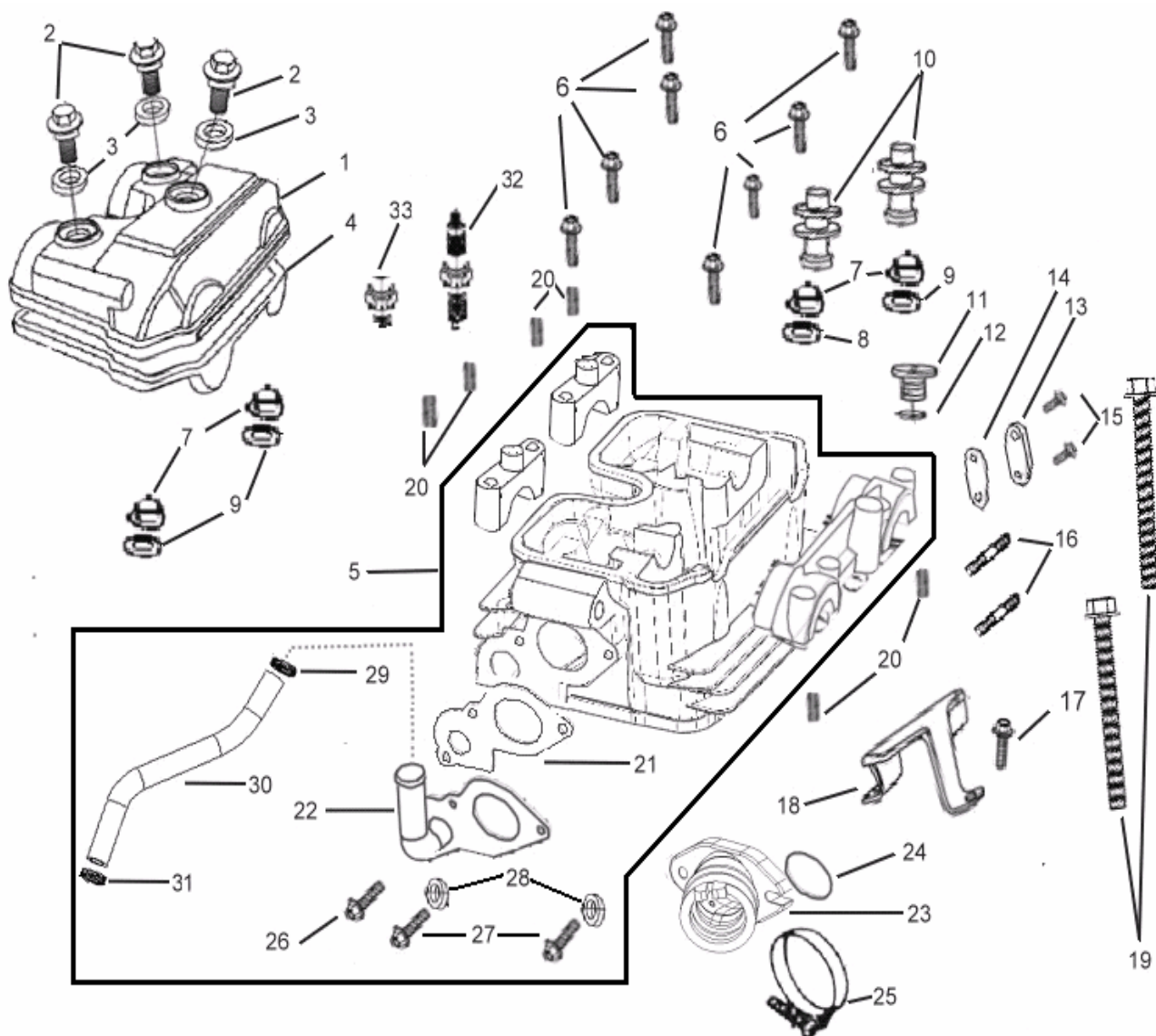


E1

CYLINDER HEAD ASSY.

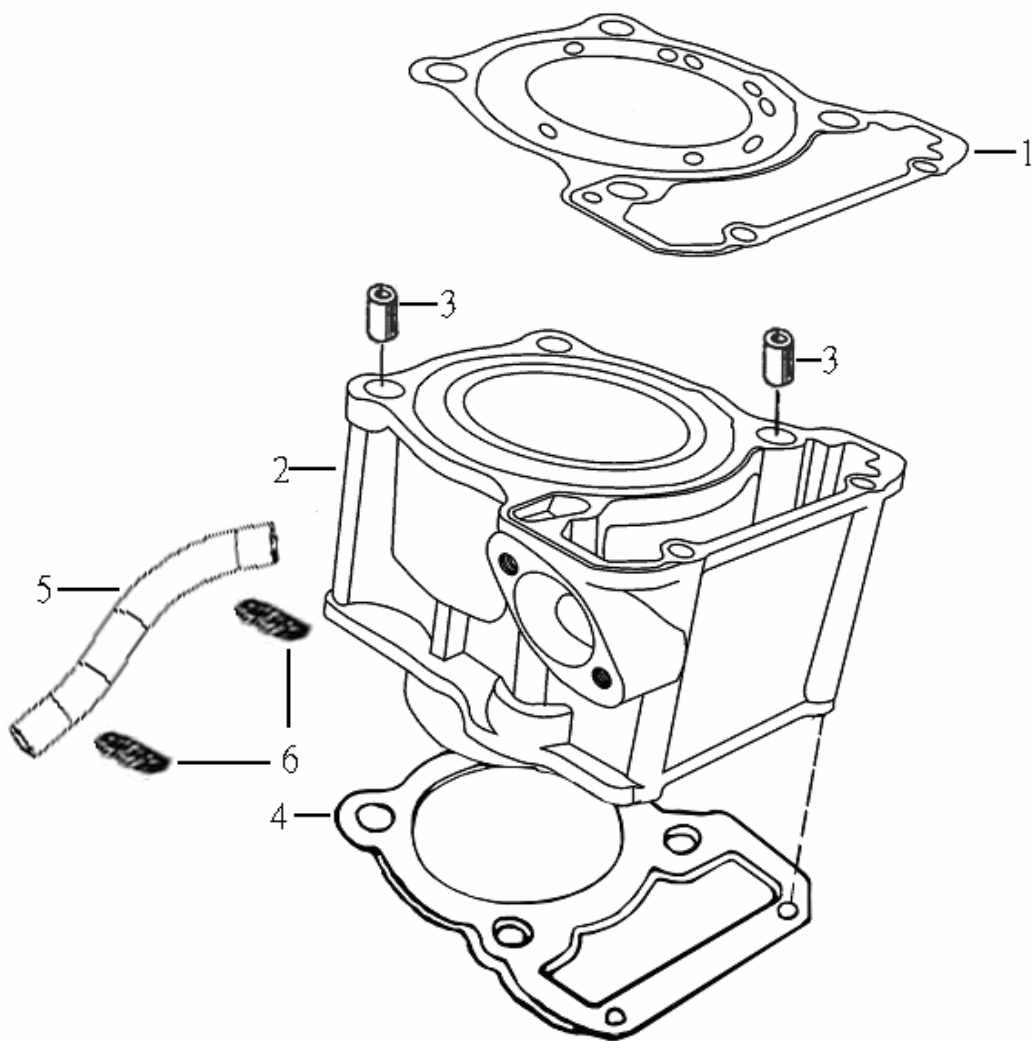
ENDURO SM250

ENDURO SX250



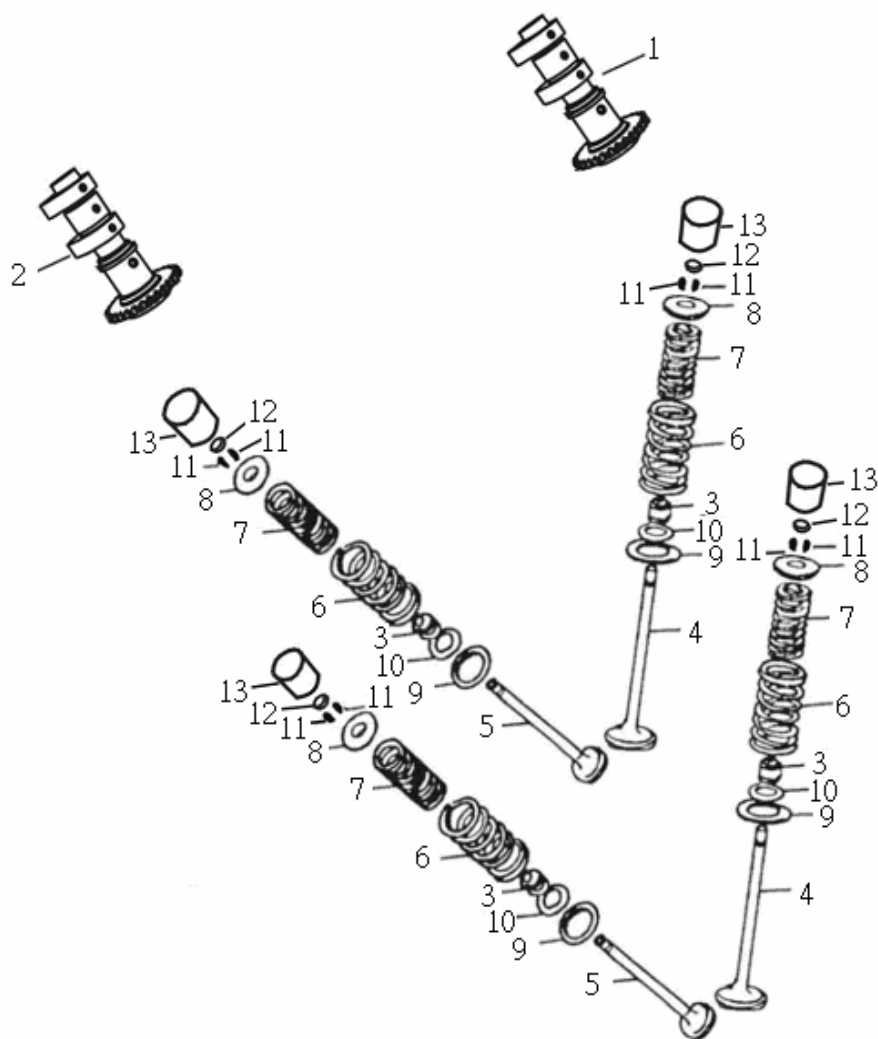
E1	CYLINDER HEAD ASSY.
-----------	----------------------------

ITEM	PART NUMBER	DESCRIPTION	REQD. NO.	
1	73A-02301-00-00	CYLINDER HEAD COVER. (SILVER)	汽缸頭蓋(銀白色)	1
2	73A-02341-00-00	CYLINDER HEAD COVER BOLT	汽缸頭蓋螺栓	3
3	73A-08214-00-00	BOLT PACKING (UPWARD)	螺栓墊圈(UP朝上)	3
4	73A-02311-00-00	CYLINDER HEAD COVER GASKET	汽缸頭蓋罩墊	1
5	73AA02110-00-00	CYLINDER HEAD ASSY. (SILVER)	汽缸頭組件總成(銀白色)	1
6	S-6001-06040-07	FLANGE BOLT 6X40	六角緣面螺栓 6X40	8
7	S-4051-10000-03	U NUT M10X1.25	自鎖螺帽 M10X1.25	4
8	S-4101-10186-25	SEALING WASHER 10mm (Cu)	密封華司10mm (銅)	1
9	S-4101-10186-23	SEALING WASHER 10mm (MFZn-B)	密封華司10mm (白鋅)	3
10	73A-02107-00-00	CYLINDER HEAD PLASTICS STOPPER	汽缸頭塑膠塞	2
11	73A-02144-00-00	BOLT M18X1.2	內六角平頭螺栓M18X1.2	1
12	S-1305-18180-00	O-RING 18X1.8	O形環 18X1.8	1
13	73A-18117-00-00	LOCK PLATE AIR CLEANER	二次空氣孔鎖片	1
14	73A-18119-00-00	LOCK WASHER AIR CLEANER	二次空氣孔墊片	1
15	S-6000-06016-03	FLANGE BOLT 6X16	六角緣面螺栓 6X16	2
16	S-2716-08045-40	STUB BOLT 8X45	雙頭螺栓 8X45	2
17	S-6000-06012-07	FLANGE BOLT 6X12	六角緣面螺栓 6X12	1
18	73A-03122-00-00	CHAIN LEADING RACK	鏈條導向架	1
19	S-6001-06140-03	FLANGE BOLT 6X140	六角緣面螺栓 6X140	2
20	S-4301-08140-00	PIN 8X14	定位銷 8X14	6
21	73AA08217-00-00	HOUSING OUTLET JOINT GASKET	出水管接頭墊片	1
22	73AA01462-00-00	HOUSING OUTLET JOINT	出水管接頭	1
23	73A-09201-20-00	INLET TUBE	進氣歧管	1
24	S-1305-26377-00	O-RING 37.77X2.62	歧管密封圈37.77X2.62	1
25	73A-09231-00-00	HIGH PRESSURE CLAMP	進氣歧管管夾	1
26	S-6000-06016-03	FLANGE BOLT 6X16	六角緣面螺栓 6X16	1
27	S-6000-06025-03	FLANGE BOLT 6X25	六角緣面螺栓 6X25	2
28	S-4101-06195-61	WASHER 6X19X2	華司 6X19X2	2
29	64A-06524-10-00	CLIP 25mm (STAINLESS STEEL)	水管夾 25mm(不鏽鋼)	1
30	73A-06511-10-00	COOLING PIPE, 1 (LEFT)	冷卻水管, 1 (左)	1
31	F01-06524-10-00	CLIP 21mm (STAINLESS STEEL)	水管夾 21mm(不鏽鋼)	1
32	73A-23111-02-00	SPARK PLUG (DENSO U27FER9)	火星塞(DENSO U27FER9)	1
33	73AA02176-00-00	WATER TEMPERATURE ALARM SENSOR	水溫感測警示器	1



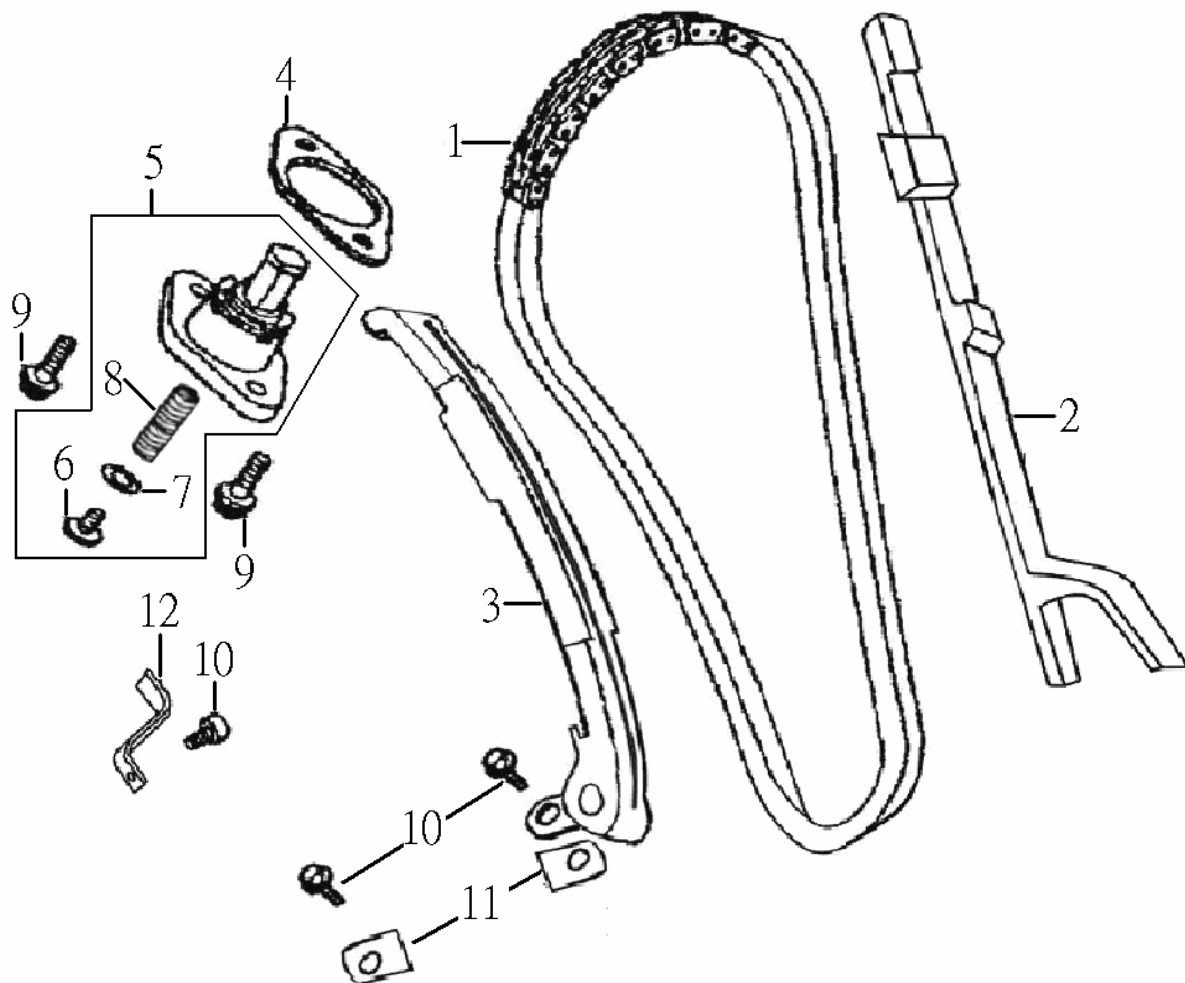
E2	CYLINDER COMP.
-----------	-----------------------

ITEM	PART NUMBER	DESCRIPTION	REQD. NO.
1	73AA08111-00-00	CYLINDER SLEEVE (3 piece) 汽缸頭墊片 (三片式)	1
2	73A-02400-00-00	CYLINDER COMP. (SILVER) 汽缸(銀白色)	1
3	S-4301-12180-00	PIN 12X18 定位銷12X18	1
4	73A-08216-01-00	CYLINDER GASKET 汽缸墊片	2
5	73A-06514-00-00	COOLING PIPE, 4 冷卻水管, 4	1
6	F01-06524-10-00	CLIP 21mm (STAINLESS STEEL) 水管夾21mm(不鏽鋼)	1



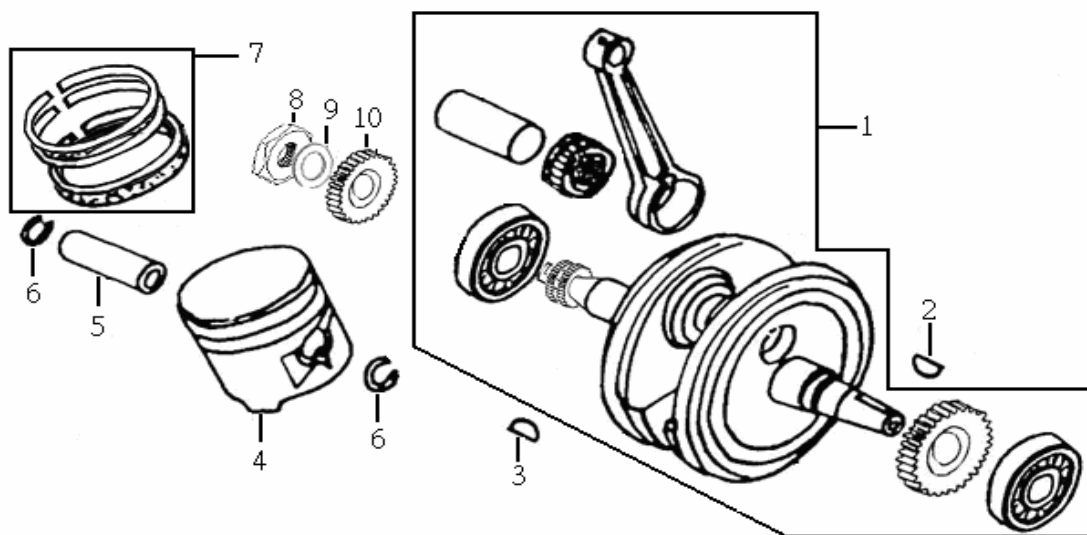
E3**VALVE & CAMSHAFT**

ITEM	PART NUMBER	DESCRIPTION		REQD. NO.
1	73A-03140-00-00	IN CAMSHAFT	進汽凸輪軸	1
2	73A-03141-00-00	EX. CAMSHAFT	排氣凸輪軸	1
3	73A-03411-00-00	VALVE STEM SEAL ϕ 4.5	汽門桿油封 ϕ 4.5	4
4	73A-03201-00-00	IN VALVE	進氣閥門	2
5	73A-03301-00-00	EX. VALVE	排氣閥門	2
6	73A-03413-00-00	OUTER VALVE SPRING	進排氣閥門外彈簧	4
7	73A-03414-00-00	INNER VALVE SPRING	進排氣閥門內彈簧	4
8	73A-03421-00-00	RETAINER VALVE SPRING	閥門彈簧座圈	4
9	73A-03424-00-00	VALVE SPRING OUTER SEAT	閥門彈簧外座	4
10	73A-03423-00-00	VALVE SPRING INNER SEAT	閥門彈簧內座	4
11	73A-03427-00-00	VALVE COTTER	閥門栓	8
12	73A-03632-00-00	VALVE ADJUST SPACER	汽門調整墊片	4
13	73A-03631-00-00	VALVE TOP SLEEVE	汽門頂筒	4



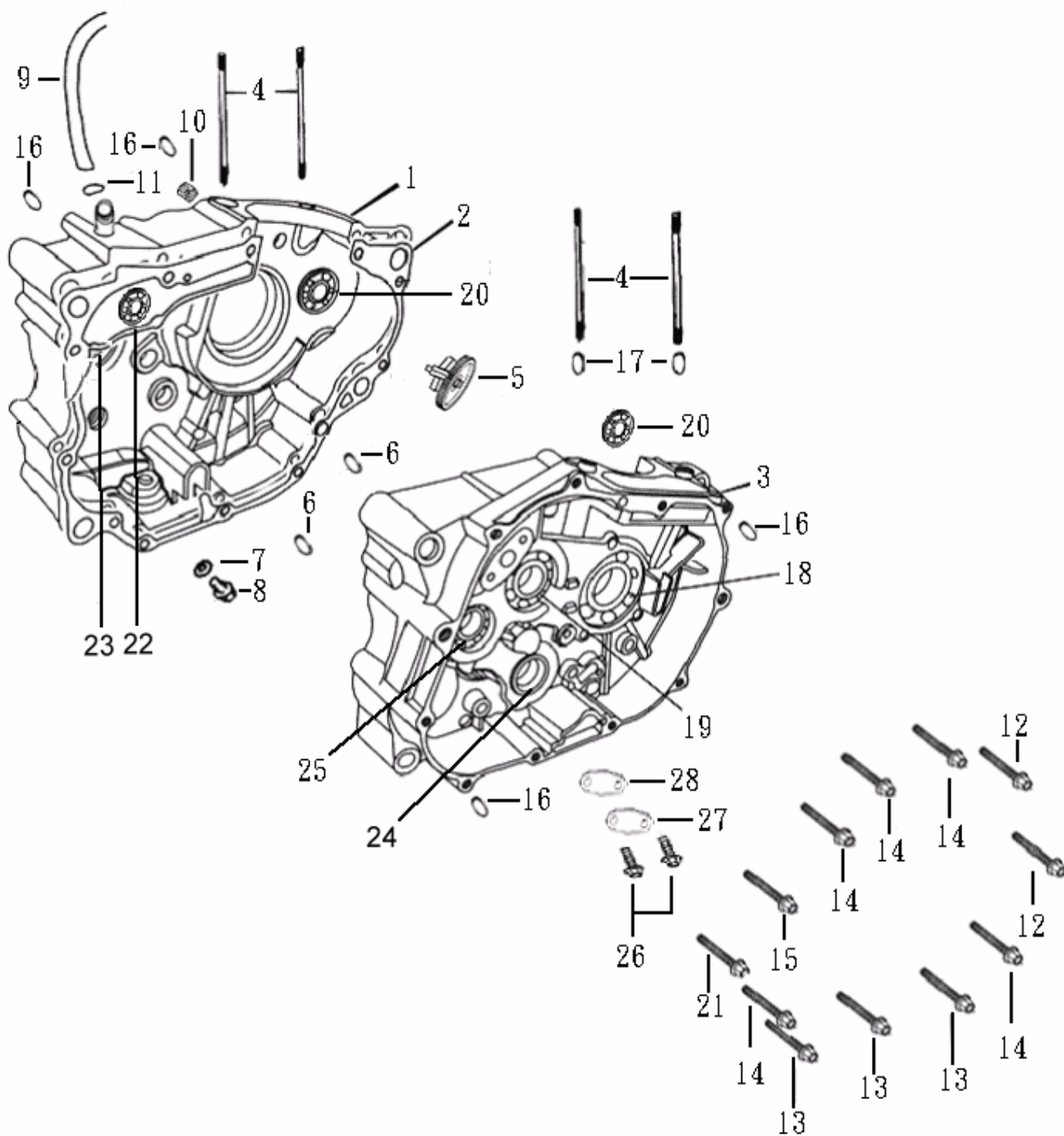
E4**CAM CHAIN TENSIONER**

ITEM	PART NUMBER	DESCRIPTION		REQD. NO.
1	73AA03121-00-00	CAM CHAIN	時規鏈條	1
2	73A-03814-00-00	CAM CHAIN GUIDE COMP.	凸輪鏈導片	1
3	73A-03811-00-00	CAM CHAIN TENSIONER	凸輪鏈張力器	1
4	81A-08224-00-00	TENSIONER GASKET	鏈條調整器墊片	1
5	73AA03830-00-00	TENSIONER COMP.	鏈條調整器	1
6	73A-03832-00-00	TENSIONER ADJUSTING BOLT	張力器調整螺栓	1
7	S-1305-19088-00	O-RING	O型環	1
8	73A-03837-00-00	SPRING	彈簧	1
9	S-6000-06020-07	FLANGE BOLT 6X20	六角緣面螺栓 6X20	2
10	S-6000-06012-07	FLANGE BOLT 6X12	六角緣面螺栓 6X12	3
11	73A-03879-00-00	BEARING PRESS PLANK	軸承壓板	2
12	73AA03836-00-00	CAM CHAIN GUIDE PRESS PLANK	凸輪鏈固定板	1



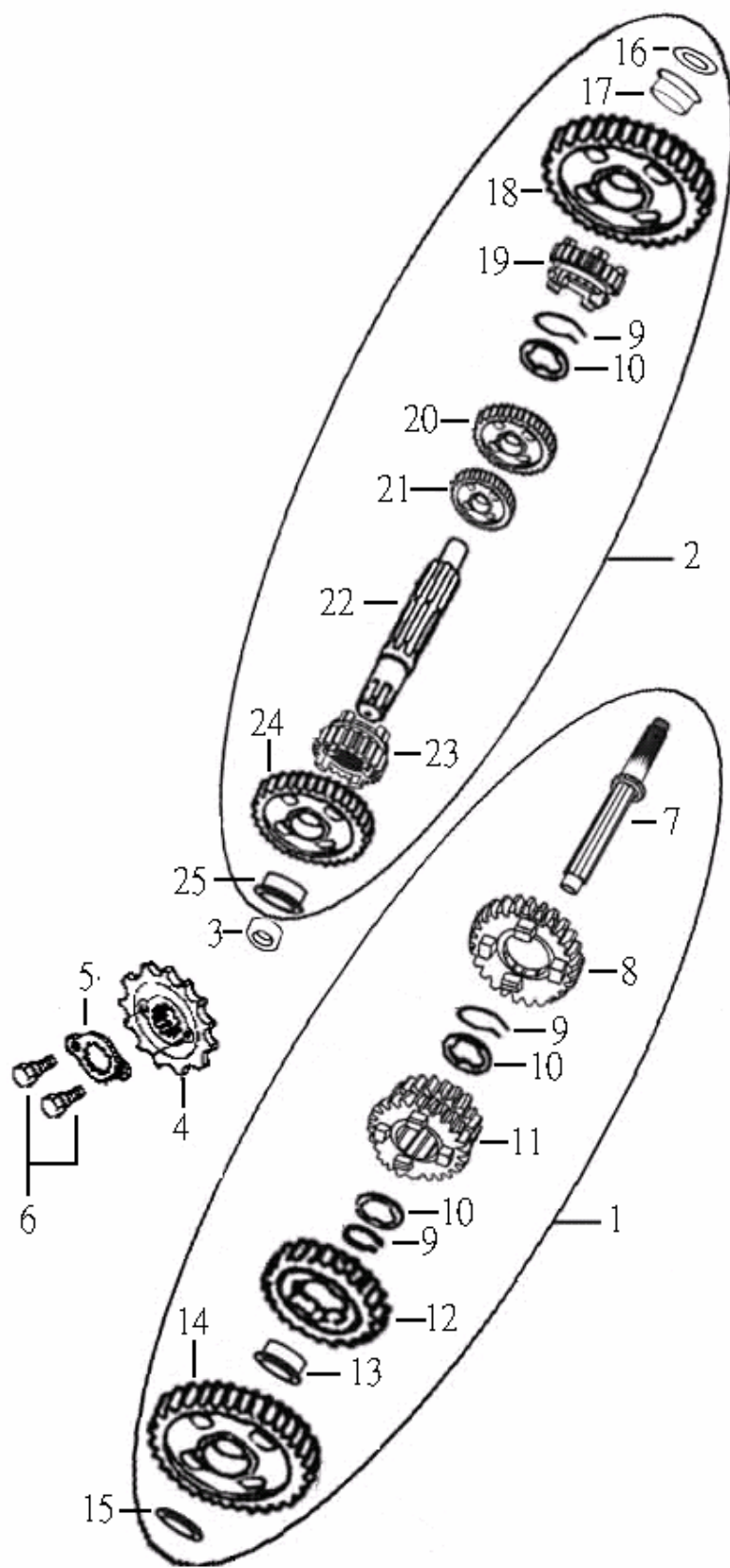
E5**PISTON & CRANKSHAFT**

ITEM	PART NUMBER	DESCRIPTION		REQD. NO.
1	73A-04100-00-00	CRANKSHAFT ASSY.	曲軸總成	1
2	73A-04151-00-00	WOODRUFF KEY 25X14	半圓固定銷 25X14	1
3	73A-04161-00-00	SQUARE KEY 4X8	方鍵 4X8	1
4	73AA02611-00-00	PISTON COMP.	活塞	1
5	73AA02631-00-00	PISTON PIN ϕ 17X49.6	活塞銷 ϕ 17X49.6	1
6	S-4601-10170-00	PISTON PIN CLIP 17mm	活塞銷環夾 17mm	2
7	73A-02620-00-00	PISTON RING SET	活塞環組	1
8	73A-01187-00-00	FLANGE NUT	六角螺帽	1
9	73A-01186-00-00	WASHER	嚙緊華司	1
10	73A-17313-01-00	PRIMARY DRIVE GEAR	主動齒輪	1



E6	CRANKCASE
-----------	------------------

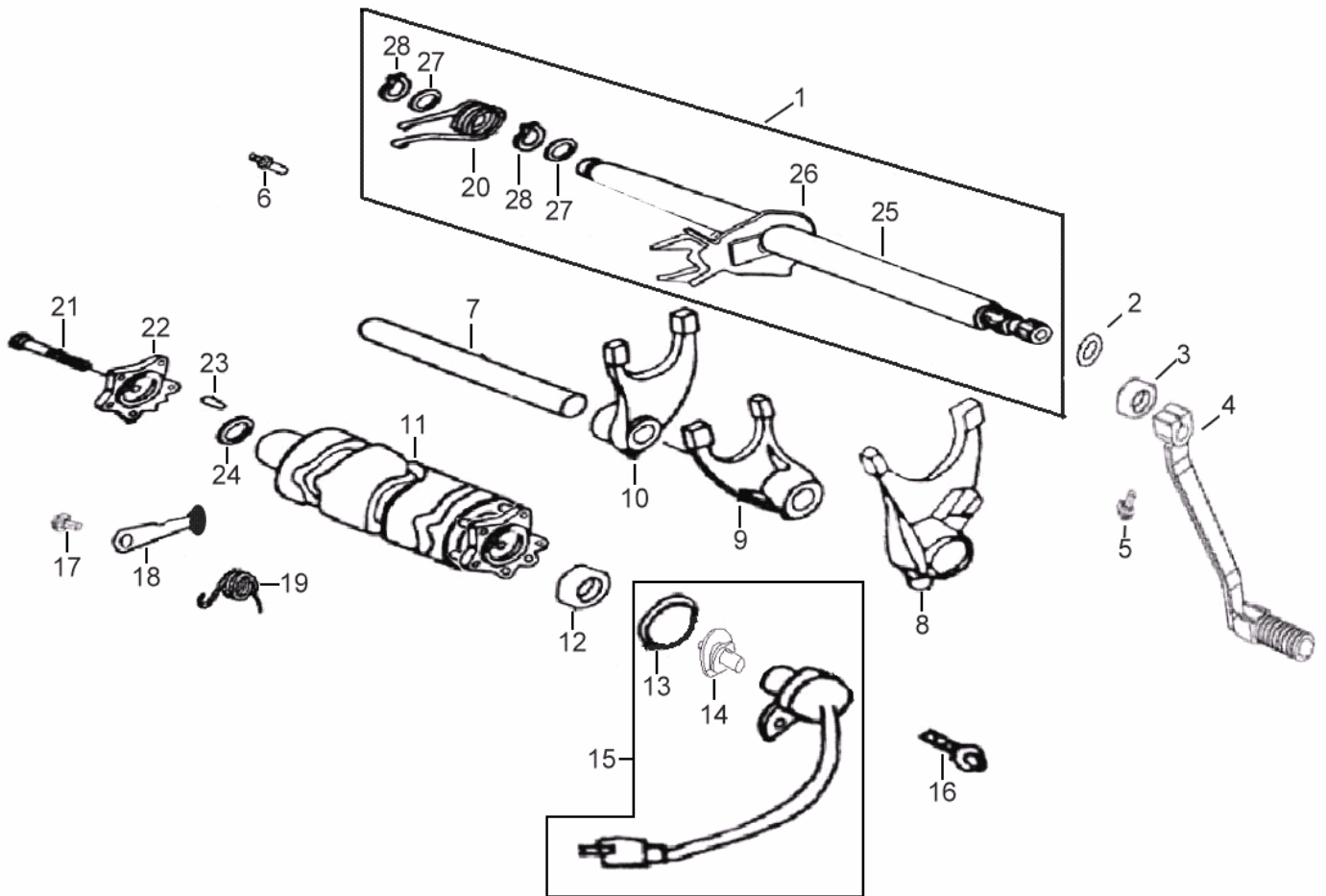
ITEM	PART NUMBER	DESCRIPTION		REQD. NO.
1	73A-01201-00-00	LEFT CRANKCASE (SILVER)	左曲軸箱 (銀白色)	1
2	73A-08201-01-00	CRANKCASE GASKET	曲軸箱墊片	1
3	73AB01101-00-00	RIGHT CRANKCASE (SILVER)	右曲軸箱 (銀白色) 新增機油濾網蓋	1
4	73A-02422-00-00	STUD BOLT ϕ 10X175	雙頭螺栓 ϕ 10X175	4
5	73A-17320-00-00	BALANCER COMP.	平衡軸組件	1
6	S-4301-10140-00	PIN 10X14	定位銷10X14	2
7	S-4101-12225-40	DRAIN PLUG WASHER 12mm	洩油孔華司 12mm	1
8	82A-01293-00-00	DRAIN PLUG BOLT 12X15	洩油孔螺栓 12X15	1
9	73A-01241-00-00	BREATHER TUBE, 01	溢氣管, 01	1
10	S-6130-01010-70	NEEDLE BEARING HK1010	滾針軸承 HK1010	1
11	A-4201-20160-00	CLIP 2.0X16	溢氣管夾 2.0X16	2
12	S-6001-06035-07	FLANGE BOLT 6X35	六角緣面螺栓 6X35	2
13	S-6001-06055-07	FLANGE BOLT 6X55	六角緣面螺栓 6X55	3
14	S-6001-06070-07	FLANGE BOLT 6X70	六角緣面螺栓 6X70	5
15	S-6001-06085-07	FLANGE BOLT 6X85	六角緣面螺栓 6X85	1
16	S-4301-08120-00	PIN 8X12	定位銷 8X12	4
17	S-4301-12160-00	PIN 12X16	定位銷 12X16	2
18	S-6120-06328-00	BALL BEARING 63/28/C3	滾珠軸承 63/28/C3	1
19	S-6120-06204-00	BALL BEARING 6204N	滾珠軸承 6204N	1
20	S-6120-06301-00	BALL BEARING 6301/P6	滾珠軸承 6301/P6	2
21	S-6001-06080-07	FLANGE BOLT 6X80	六角緣面螺栓 6X80	1
22	S-6120-06202-40	BALL BEARING 6202RS	滾珠軸承 6202RS	1
23	S-6120-06204-30	BALL BEARING 6204DU	滾珠軸承 6204DU	1
24	S-6130-02010-70	NEEDLE BEARING HK202610	滾針軸承 HK202610	1
25	S-6120-06203-00	BALL BEARING 6203/P6	滾珠軸承 6203/P6	1
26	S-6000-06020-07	HEX. FLANGE BOLT 6X20	六角緣面螺栓 6X20	2
27	73A-01153-00-00	OUTER CLEANER COVER	外置濾網蓋	1
28	73A-01154-00-00	OUTER CLEANER COVER GASKET	外置濾網蓋密封墊	1



E7

TRANSMISSION

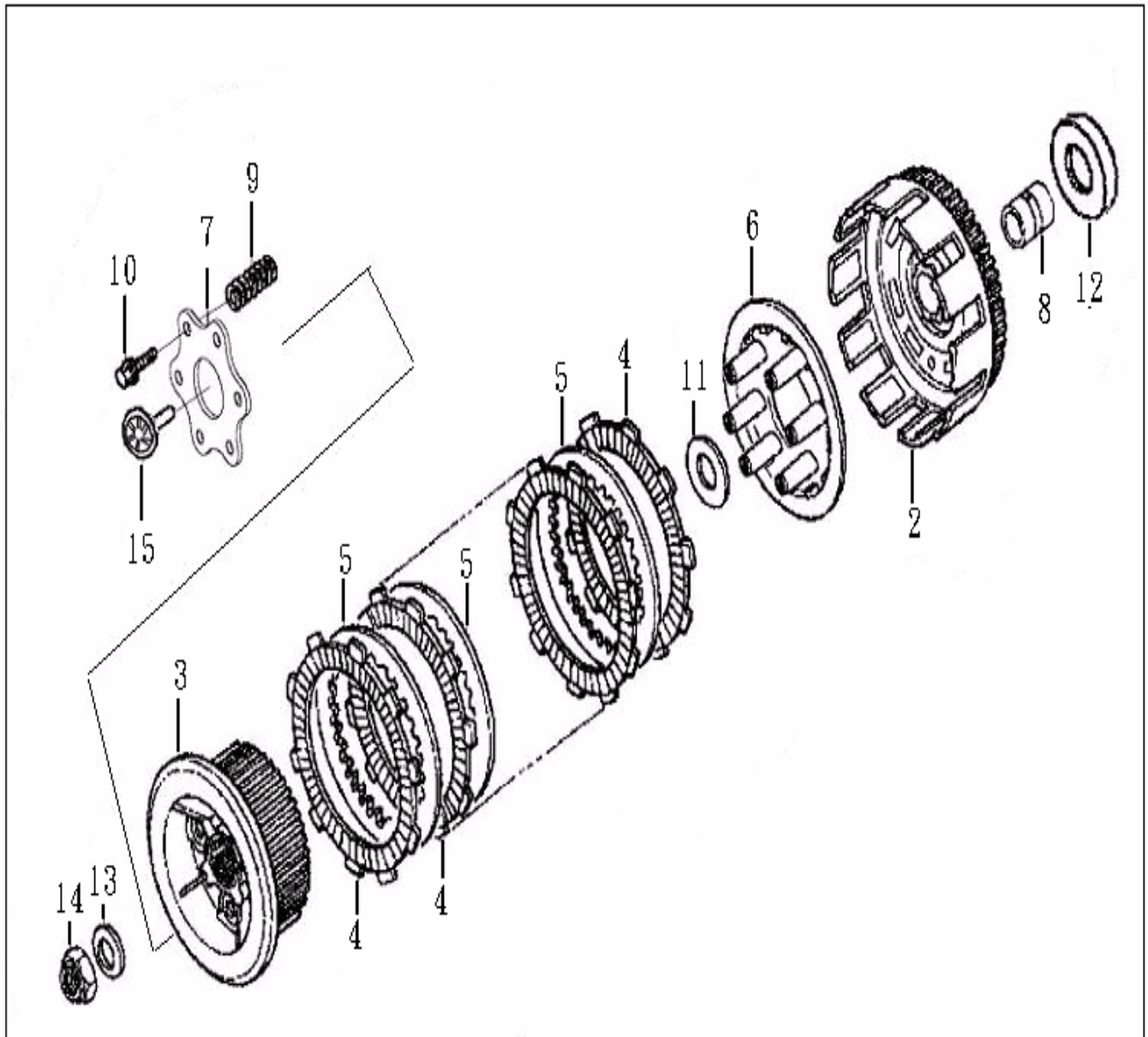
ITEM	PART NUMBER	DESCRIPTION		REQD. NO.
1	73A-15000-00-00	MAIN SHAFT ASSY.	主軸總成	1
2	73AA16000-00-00	COUNTER SHAFT ASSY.	副軸總成 $\phi 22$	1
3	S-1201-22034-70	OIL SEAL 22X34X7	油封 22X34X7	1
4	73AA16911-00-00	DRIVE SPROCKET 13T	驅動鏈輪 13T	1
5	73AA16921-00-00	SPROCKET FIXING PLATE	驅動鏈輪固定片	1
6	S-2000-06010-03	HEX BOLT 6X10	六角螺栓 6X10	2
7	73A-15111-00-00	MAIN SHAFT	變速主軸	1
8	73A-15710-00-00	M-6 GEAR	主軸六檔齒輪	1
9	S-4512-12200-00	CIR-CLIP 20mm	環夾 20mm	3
10	73A-16138-00-00	SPLINE WASHER	槽溝華司	3
11	73A-15410-00-00	M-3、M-4 GEAR	主軸三、四檔齒輪	1
12	73A-15610-00-00	M-5 GEAR	主軸五檔齒輪	1
13	73A-15121-00-00	GEAR COLLAR	齒輪套筒	1
14	73A-15310-00-00	M-2 GEAR	主軸二檔齒輪	1
15	S-4101-15253-60	THRUST WASHER 15X25X1	止推華司 15X25X1	1
16	S-4101-17203-60	THRUST WASHER 17X20X1	止推華司 17X20X1	1
17	73A-16123-00-00	GEAR COLLAR, A	副軸軸套, A	1
18	73A-16210-00-00	C-1 GEAR COMP.	副軸一檔齒輪	1
19	73A-16610-00-00	C-5 GEAR	副軸五檔齒輪	1
20	73A-16410-00-00	C-3 GEAR	副軸三檔齒輪	1
21	73A-16510-00-00	C-4 GEAR	副軸四檔齒輪	1
22	73AA16111-00-00	COUNTER SHAFT	變速副軸	1
23	73AA16710-00-00	C-6 GEAR	副軸六檔齒輪	1
24	73A-16310-00-00	C-2 GEAR	副軸二檔齒輪	1
25	73A-16125-00-00	GEAR COLLAR, B	副軸軸套, B	1



E8

GEARSHAFT DRUM & GEARSHAFT SPINDLE

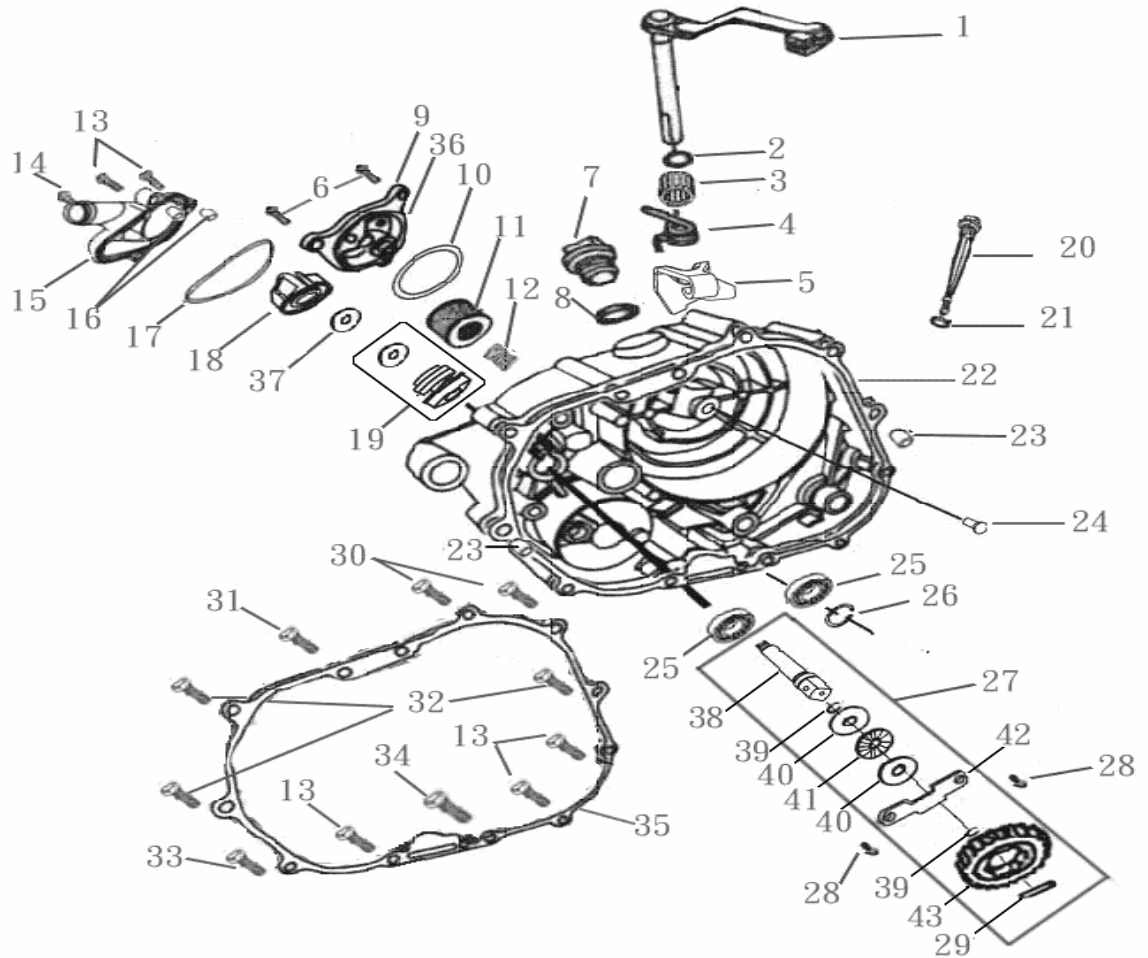
ITEM	PART NUMBER	DESCRIPTION		REQD. NO.
1	73AA13310-00-00	GEAR SHIFT SPINDLE COMP.	變速軸組件	1
2	S-4101-14203-23	PLATE WASHER 14X20X1	平面華司 14X20X1	1
3	S-1201-14028-70	OIL SEAL 14X28X7	油封 14X28X7	1
4	73A-13364-20-00	CHANGE PEDAL PAD	變速踏桿	1
5	S-6001-06018-03	FLANGE BOLT 6X18	六角緣面螺栓 6X18	1
6	73A-13343-00-00	ORIENTATION BOLT	變速定位螺栓	1
7	73A-13224-00-00	GEAR SHIFT FORK GUIDE SHAFT	變速叉導桿	1
8	73A-13222-00-00	LEFT GEAR SHIFT FORK (L)	左變速叉 (L)	1
9	73A-13223-00-00	CENTER GEAR SHIFT FORK(C)	中心變速叉 (C)	1
10	73A-13221-00-00	RIGHT GEAR SHIFT FORK (R)	右變速叉 (R)	1
11	73AA13360-00-00	GEAR SHIFT DRUM COMP.	變速筒總成	1
12	S-1201-14022-50	OIL SEAL 14X22X5	油封 14X22X5	1
13	S-1305-20180-00	O-RING 18X2	O形環 18X2	1
14	73A-21193-00-00	NEUTRAL SWITCH CONTACT	空檔燈開關接觸頭	1
15	73A-21190-00-00	NEUTRAL SWITCH CONTACT ASSY.	空檔燈接觸開關總成	1
16	S-6000-06012-07	FLANGE BOLT 6X12	六角緣面螺栓 6X12	1
17	73A-13134-00-00	SHIFT DRUM STOPPER PIVOT BOLT	變速筒制止器樞軸螺栓	1
18	73A-13120-00-00	SHIFT DRUM STOPPER COMP.	變速筒制止器總成	1
19	73A-13123-00-00	SHIFT DRUM STOPPER SPRING	變速筒制止器彈簧	1
20	73AA13324-00-00	SPRING GEARSHIFT RETURN	變速回動彈簧	1
21	S-2000-06025-03	HEX BOLT 6X25	六角螺栓 6X25	1
22	73AA13113-00-00	GEAR SHIFT CAM	變速凸輪	1
23	S-4302-03120-00	DOWEL PIN 3X12	定位銷 3X12	1
24	S-4101-20304-22	THRUST WASHER 20X30X1.5	止推華司 20X30X1.5	1
25	73AA13311-00-00	GEAR SHIFT SPINDLE	變速軸	1
26	73AA13321-00-00	GEAR SHIFT PLATE	變速片	1
27	S-4101-14201-60	THRUST WASHER 14.2mm	止推華司 14.2mm	2
28	S-4511-10120-00	CIR-CLIP 12mm	環夾 12mm	2



1

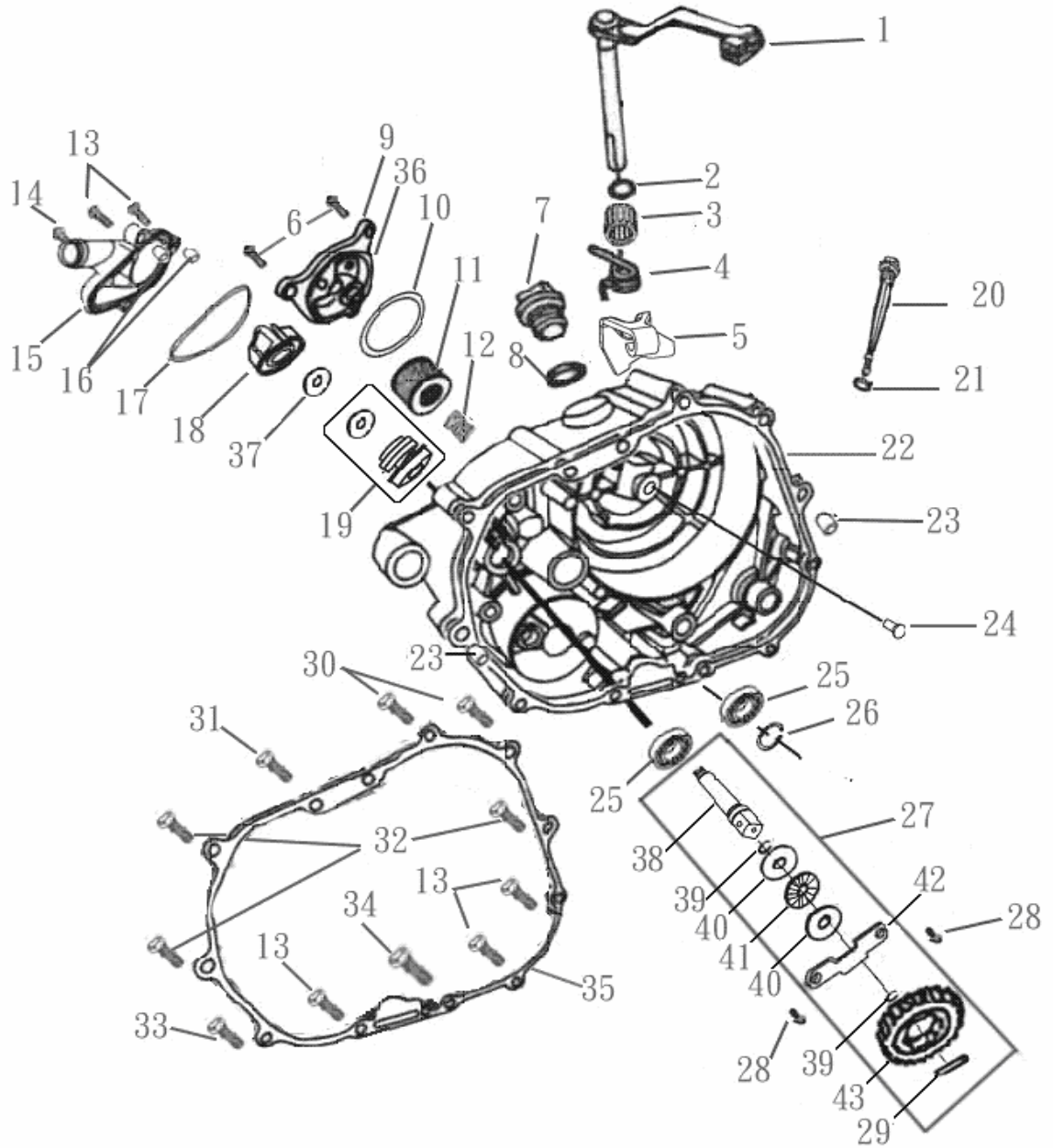
E9	CLUTCH ASSY.
-----------	---------------------

ITEM	PART NUMBER	DESCRIPTION	REQD. NO.
1	73AA11100-00-00	CLUTCH COMP. 離合器總成	1
2	73AA11140-10-00	CLUTCH OUTER COMP. 離合器外套組件	1
3	73AA11121-00-00	CLUTCH CENTER 離合器中樞	1
4	73AA11127-00-00	CLUTCH FRICTION DISK 離合器磨擦片	7
5	73AA11128-00-00	CLUTCH PLATE 離合器板磨擦鐵片	6
6	73AA1124-00-00	CLUTCH PRESSURE PLATE 離合器壓板	1
7	73AA11126-00-00	CLUTCH LIFTER PLATE 離合器壓板蓋	1
8	73A-11147-10-00	CLUTCH SHAFT BUSH 離合器軸套	1
9	73AA11129-00-00	CLUTCH SPRING 離合器彈簧	6
10	S-2101-06020-01	HEX. BOLT M6X20 六角螺栓 M6X20	6
11	73AA11135-00-00	SPLINE WASHER 37X20X2 槽溝華司 37X20X2	1
12	73A-11122-00-00	CLITCH BUSH 20X36X14 離合器襯套 20X36X14	1
13	S-4101-20307-20	WASHER 20X30X3 平面華司 20X30X3	1
14	73A-11177-00-00	U NUT 調緊螺帽	1
15	73A-11190-00-00	CLUTCH BEARING RACK 離合器軸承挺桿組件	1



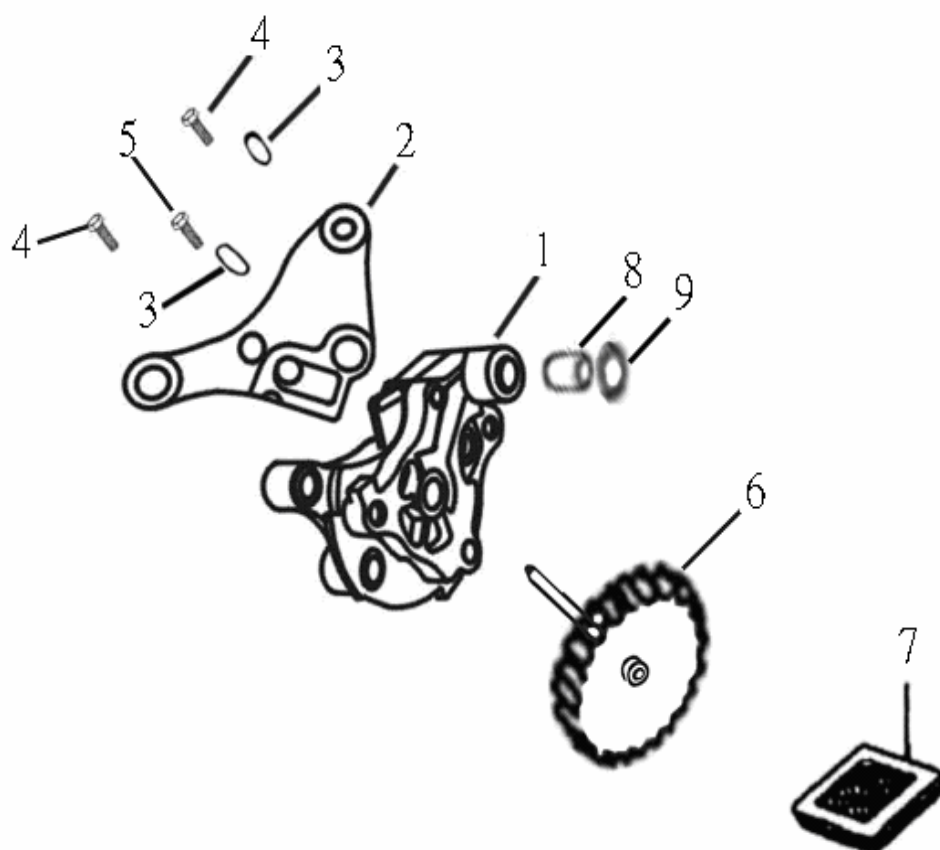
E10	RIGHT CRANKCASE COVER ASSY.
------------	------------------------------------

ITEM	PART NUMBER	DESCRIPTION	REQD. NO.
1	73A-11170-00-00	CLUTCH LEVER COMP. 離合器桿組件	1
2	S-1201-12018-50	OIL SEAL 12X18X5 油封 12X18X5	1
3	S-6130-01210-70	NEEDLE BEARING HK121610 滾針軸承 HK121610	1
4	73A-11162-00-00	CLUTCH LEVER SPRING 離合器桿彈簧	1
5	73A-11158-20-00	CLUTCH WIRE HOLDER 離合器導線固定片	1
6	S-6000-06020-07	FLANGE BOLT 6X20 六角緣面螺栓 6X20	2
7	73A-11181-00-00	CLUTCH INSPECTING 離合器檢視蓋	1
8	S-1305-35180-00	O-RING 18X3.5 O形環 18X3.5	1
9	73AA05231-00-00	OIL FILTER CAP (SILVER) 機油濾網蓋(銀白色)	1
10	S-1305-25560-00	O-RING 56X25 O形環 56X25	1
11	73A-05232-00-00	OIL FILTER SCREEN 機油濾網	1
12	73A-05233-00-00	OIL FILTER SCREEN SPRING 機油濾網彈簧	1
13	S-6001-06030-07	FLANGE BOLT 6X30 六角緣面螺栓 6X30	5
14	S-6000-06025-07	FLANGE BOLT 6X25 六角緣面螺栓 6X25	2
15	73AA01461-00-79	HOUSING COVER (SILVER) 水泵蓋(烤漆, 銀白色)	1
16	S-4301-08080-00	DOWEL PIN 8X8 定位銷 8X8	2
17	73AA06127-00-00	HOUSING COVER O-RING 水泵蓋密封圈	1
18	73A-06111-00-00	IMPELLER 水泵葉輪	1
19	73AA06128-00-00	WATER SEAL 水封	1
20	73A-05280-00-00	OIL LEVER GAUGE ASSY. 量油尺總成	1
21	S-1305-24098-00	O-RING 9.8X2.4 O形環 9.8X2.4	1
22	73AA01401-00-00	RIGHT CRANKCASE COVER (CPI MARK, SILVER) 右曲軸箱蓋 (CPI MARK, 銀白色)	1
23	S-4301-08120-00	DOWEL PIN 8X12 定位銷 8X12	2
24	73A-11167-00-00	CLUTCH LEVER 離合器頂桿	1
25	S-1201-12020-50	OIL SEAL 12X20X5 油封 12X20X5	2
26	S-4521-10200-00	CIR-CLIP 20mm 環夾 20mm	1
27	73AA06130-00-00	IMPELLER SHAFT COMP. 水泵浦軸總成	1
28	S-6000-06012-07	FLANGE BOLT 6X12 六角緣面螺栓 6X12	2
29	73AA17343-00-00	WATER PUMP SHAFT PIN 4X23 水泵軸銷 4X23	1
30	S-6001-06065-07	FLANGE BOLT 6X65 六角緣面螺栓 6X65	2
31	S-6001-06070-07	FLANGE BOLT 6X70 六角緣面螺栓 6X70	1
32	S-6001-06040-07	FLANGE BOLT 6X40 六角緣面螺栓 6X40	3
33	S-6001-06080-07	FLANGE BOLT 6X80 六角緣面螺栓 6X80	1
34	S-6001-06055-07	FLANGE BOLT 6X55 六角緣面螺栓 6X55	1
35	73A-08231-01-00	RIGHT CRANKCASE COVER GASKET 右曲軸箱蓋墊片	1
36	73A-08237-00-00	OIL FILTER CAP GASKET 機油濾網蓋墊片	1
37	S-4101-08132-20	WASHER 8X13X0.8 華司 8X13X0.8	1
38	73AA06112-10-00	IMPELLER SHAFT 水泵浦葉輪軸	1



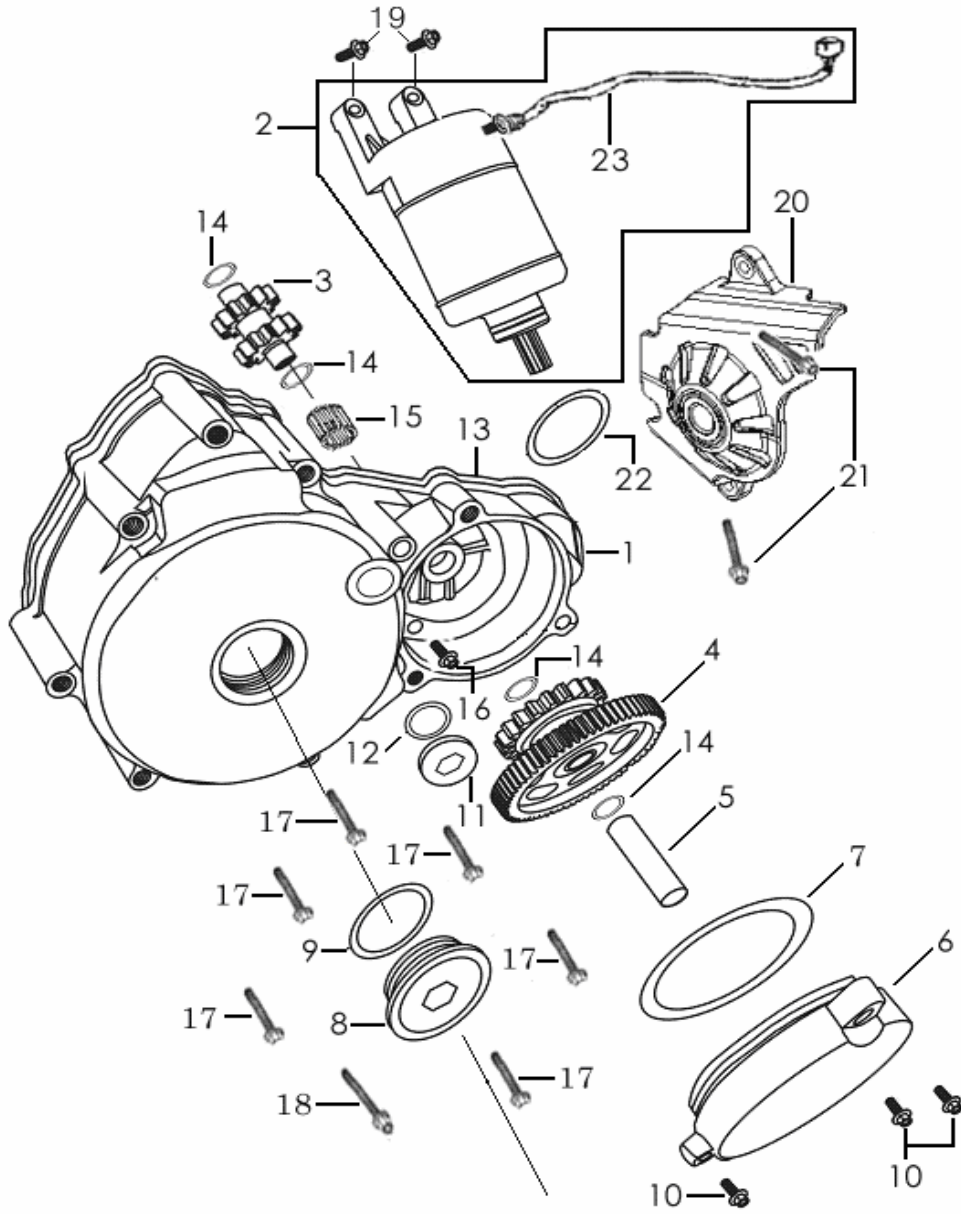
E10	RIGHT CRANKCASE COVER ASSY.
------------	------------------------------------

ITEM	PART NUMBER	DESCRIPTION	REQD. NO.
39	73AA06129-00-00	CLIP 10mm 軸用鋼絲檔圈	2
40	S-4101-12203-60	WASHER 12. 2X20X1 平面華司 12. 2X20X1	2
41	73AA06136-00-00	PLATE BEARING 平面軸承	1
42	73AA06135-00-00	IMPELLER PRESS PLANK 水泵軸壓版	1
43	73AA06132-00-00	WATER PUMP GEAR 水泵齒輪	1



E11	OIL PUMP & OIL FILTER ROTOR
------------	--

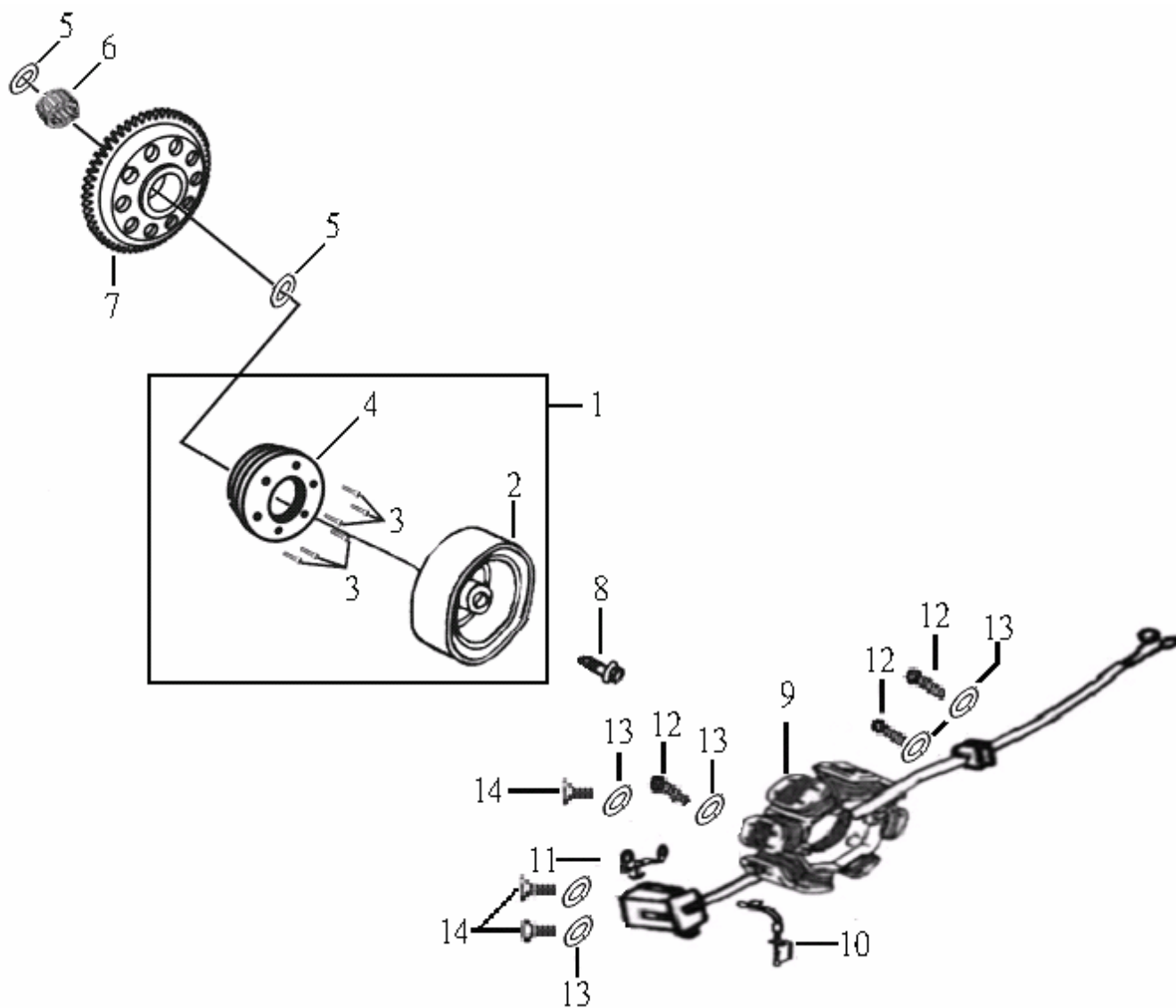
ITEM	PART NUMBER	DESCRIPTION	REQD. NO.
1	73A-05100-00-00	OIL PUMP ASSY. 油泵總成	1
2	73A-08235-01-00	OIL PUMP GASKET 油泵墊片	1
3	S-4301-08140-00	DOWEL PIN 8X14 定位銷 8X14	2
4	S-6001-06035-07	FLANGE BOLT 6X35 六角緣面螺栓 6X35	2
5	S-6001-06025-07	FLANGE BOLT 6X25 六角緣面螺栓 6X25	1
6	73A-17351-00-00	OIL PUMP GEAR 油泵齒輪	1
7	73AA05235-00-00	OIL FILTER SCREEN 機油濾清器	1
8	S-4301-10100-00	DOWEL PIN 10X10 定位銷 10X10	1
9	S-1305-24098-00	O-RING 9.8X2.4 O形環 9.8X2.4	1



E12

LEFT CRANKCASE COVER

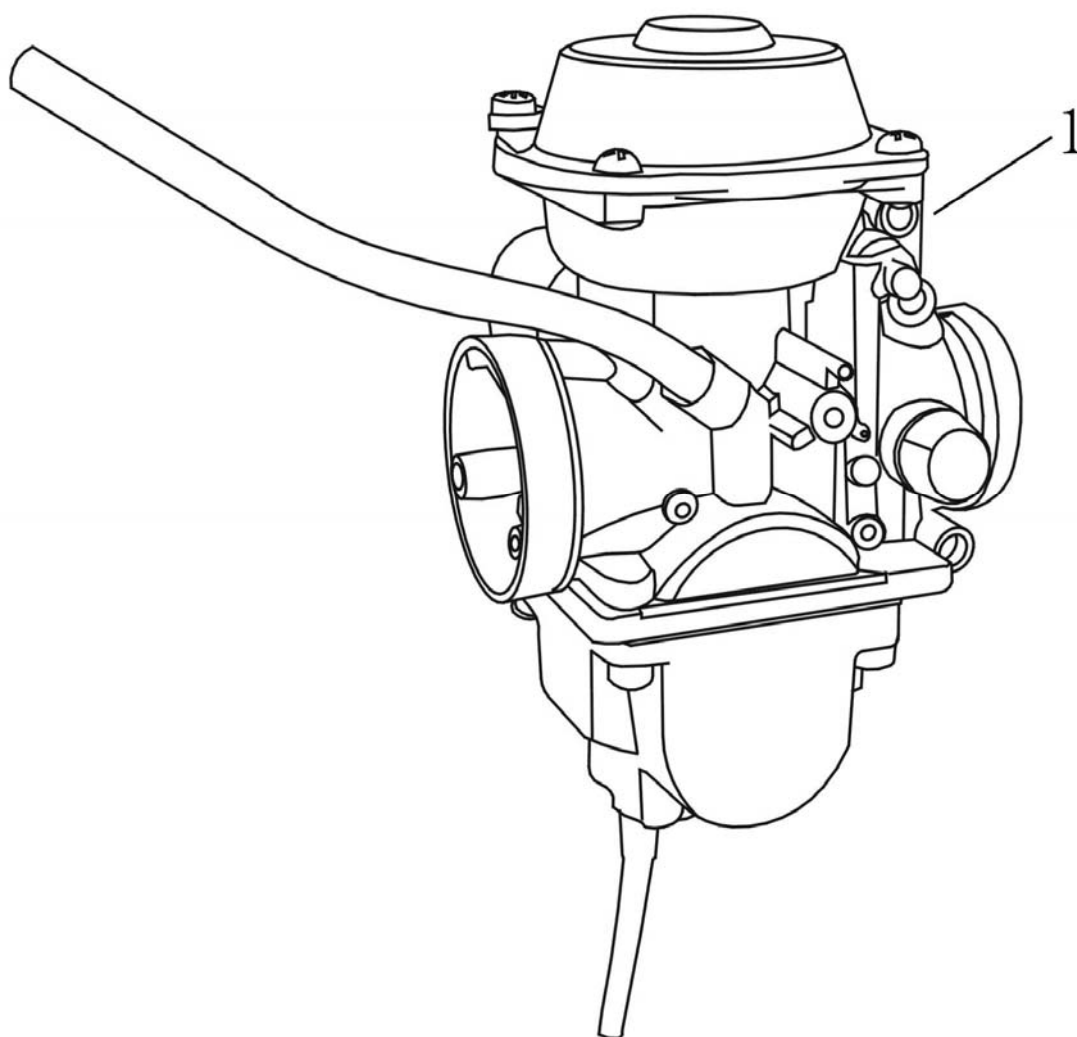
ITEM	PART NUMBER	DESCRIPTION		REQD. NO.
1	73AA01301-00-00	LEFT CRANKCASE COVER (SILVER)	左曲軸箱蓋	1
2	73AA22200-00-00	STARTER MOTOR ASSY.	起動馬達總成	1
3	73AA22331-00-00	STATOR GEAR SHAFT	起動齒輪軸	1
4	73AA22311-00-00	STARTER REDUCTION GEAR	減速齒輪	1
5	73A-22321-00-00	STARTER REDUCTION GEAR SHAFT	減速齒輪軸	1
6	73A-01330-00-00	STARTER GEAR COVER	起動齒輪蓋	1
7	S-1305-30700-00	O-RING 70X3	O形環 70X3	1
8	73A-21160-00-00	A. C. G. CAP 30mm	交流發電機塞30mm	1
9	S-1305-24274-00	O-RING 27.4X2.4	O形環 27.4X2.4	1
10	S-6000-06020-07	FLANGE BOLT 6X20	六角緣面螺栓 6X20	3
11	73A-21180-00-00	A. C. G CAP 14mm	交流發電機塞14mm	1
12	S-1305-25138-00	O-RING 13.8X2.5	O形環 13.8X2.5	1
13	73A-08241-01-00	LEFT CRANKCASE COVER GASKET	左曲軸箱蓋墊片	1
14	S-4101-10203-60	PLATE WASHER 10X20X1	平面華司 10X20X1	4
15	S-6130-01010-70	NEEDLE BEARING HK1010	滾針軸承 HK1010	1
16	S-6001-06030-07	FLANGE BOLT 6X30	六角緣面螺栓 6X30	1
17	S-6001-06065-07	FLANGE BOLT 6X65	六角緣面螺栓 6X65	6
18	S-6001-06070-07	FLANGE BOLT 6X70	六角緣面螺栓 6X70	1
19	S-6000-06025-07	FLANGE BOLT 6X25	六角緣面螺栓 6X25	2
20	73A-01321-00-00	LEFT CRANKCASE REAR COVER	左曲軸箱後蓋	1
21	S-6001-06018-03	FLANGE BOLT 6X18	六角緣面螺栓 6X18	2
22	S-1305-30250-00	O-RING	O形環	1
23	73A-22203-10-00	STARTER MOTOR CABLE	啟動馬達導線	1



E13

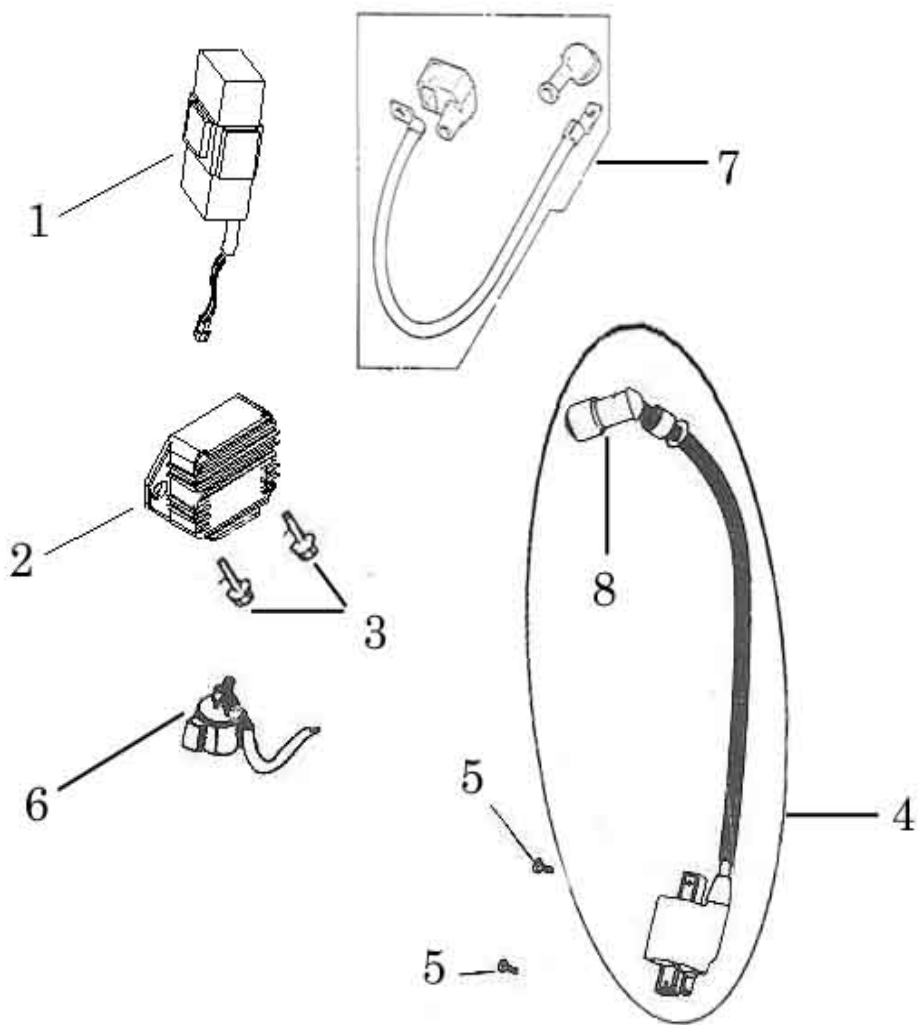
GENERATOR

ITEM	PART NUMBER	DESCRIPTION		REQD. NO.
1	73AA21110-00-00	FLY WHEEL COMP.	飛輪組	1
2	73AA21111-00-00	FLY WHEEL	飛輪	1
3	S-6700-06020-02	SOCKET BOLT 6X20	六角承窩螺栓 6X20	6
4	73A-22422-00-00	STARTING CLUTCH OUTER COMP.	起動離合器外套	1
5	S-4101-26383-60	PLATE WASHER 26X38X1	平面華司 26X38X1	2
6	73A-22413-00-00	ROLLER	滾針軸承	1
7	73A-22350-00-00	STARTER DRIVE GEAR	起動傳動齒輪	1
8	73AA21149-00-00	A. C. G. NUT M12X45X1.25	鎖緊螺母 M12X45X1.25	1
9	73A-21130-00-00	STATOR COMP.	定子組件	1
10	73A-21133-00-00	GENERATOR LINE OF CLIP	發電機配固定片A	1
11	73A-21135-00-00	GENERATOR PRESS PLANK	發電機配固定片B	1
12	S-2000-05028-01	HEX. BOLT 5X28	六角螺絲 5X28	3
13	S-4111-05103-60	SPRING WASHER 5X10X1	彈簧墊圈 5X10X1	6
14	S-3500-05012-01	PAN HEAD SCREW 5X12	盤頭螺絲 5X12	3



E14	CARBURETOR
------------	-------------------

ITEM	PART NUMBER	DESCRIPTION	REQD. NO.
1	73A-09400-00-00	CARBURETOR ASSY. (E3)	1
		化油器總成 MJ#88 國內五期法規、伊朗客 戶，歐三	
2	73AA09400-00-00	CARBURETOR ASSY. (E2)	1
		化油器總成 MJ#108 伊朗客戶，歐二	
3	72A-09400-00-00	CARBURETOR ASSY. (OPEN)	1
		化油器總成 MJ#122 NAZA	



E15	C.D.I. & IGNITION ASSY.
------------	------------------------------------

ITEM	PART NUMBER	DESCRIPTION		REQD. NO.
1	73A-23110-00-00	C. D. I. UNIT COMP.	C. D. I總成	1
2	D08-21310-00-00	RECT. REC. COMP. (DC)	調壓整流器組 (直流)	1
3	S-5800-06016-03	FLANGE BOLT 6X16	六角緣面螺栓 6X16	2
4	73A-23140-00-00	IGNITION COIL ASSY.	點火線圈總成	1
5	S-6000-06020-07	FLANGE BOLT 6X20	六角緣面螺栓 6X20	2
6	93A-28310-00-00	START RELAY COMP.	起動繼電器總成	1
7	73A-06531-00-00	CABLE	接地線	1
8	73A-23151-00-00	PLUG CAP ASSY.	火星塞蓋總成	1

E16	RADIATOR ASSY.
------------	-----------------------

ITEM	PART NUMBER	DESCRIPTION		REQD. NO.
1	73A-06500-30-00	RADIATOR ASSY. , 1	水箱總成, 1	1
2	73A-06501-00-00	RADIATOR ASSY. , 2	水箱總成, 2	1
3	S-3404-06016-03	FLANGE BOLT 6X16	螺栓附華司 6X16	5
4	51A-06524-00-00	RADIATOR CAP	水箱蓋	1
5	73A-06512-00-00	COOLING PIPE, 2 (CENTER)	冷卻水管, 2 (中)	1
6	73A-06513-00-00	COOLING PIPE, 3 (RIGHT)	冷卻水管, 3 (右)	1
7	73A-06532-10-00	COOLING PIPE SPRING	冷卻水管保護彈簧	1
8	73A-06516-10-00	DRAIN AIR BOLT	洩氣螺栓	1
9	82A-06533-00-00	SEALING WASHER	密封華司	1
10	73A-07162-00-00	COOLING FAN	冷卻風扇	1
11	73A-07155-00-00	COOLING FAN BRACKET, 1	冷卻風扇支架, 1	1
12	73A-07156-00-00	COOLING FAN BRACKET, 2	冷卻風扇支架, 2	1
13	73A-07157-00-00	HOLDER	固定線夾	2
14	S-3502-05037-03	PAN HEAD SCREW 5X37	盤頭螺絲 5X37	4
15	S-4051-05000-03	NUT M5	螺帽 M5	4
16	S-4101-05164-24	PLATE WASHER 5X16X1.5	平面華司 5X16X1.5	4
17	S-4101-05255-90	PLATE WASHER 5X25X2.0	隔熱平面華司5X25X2.0	8
18	S-3579-04016-01	PAN HEAD SCREW 4X16	盤頭緣面螺絲 4X16	4
19	S-4032-04000-03	NUT M4	尼龍螺帽 M4	4
20	73A-02176-00-00	WATER TEMPERATURE ALARM SENSOR	水溫警報感知器	1
21	82A-06530-30-00	TEMPERATURE SWITCH	溫控感測開關	1
22	82A-06533-00-00	SEALING WASHER	密封華司	2
23	64A-06524-10-00	CLIP 25mm (STAINLESS STEEL)	水管夾 25mm (不鏽鋼)	1
24	F01-06524-10-00	CLIP 21mm (STAINLESS STEEL)	水管夾 21mm (不鏽鋼)	3