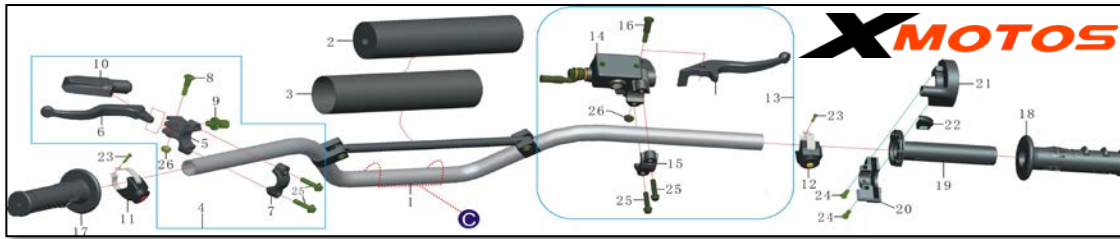
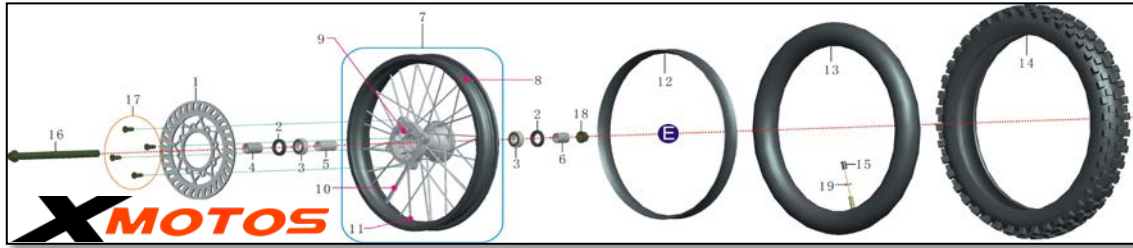


XT200 (XB-30)



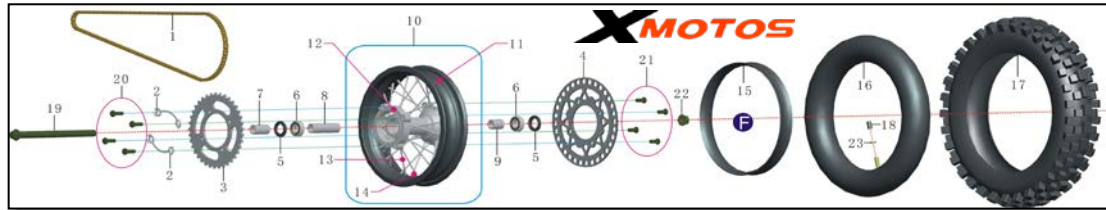
HANDLE BAR ASSY.

Ref. No.	PART No.	DESCRIPTION	Qty.
1	03001006102000	handel bar	1
2	10011000100000	foam padding, crossbar	1
3	10010014010300	cover, foam padding	1
4	03011010101010	lever, clutch assy.	1
5	03011010101010-1	clutch lever housing(N/A)	1
6	03011010101010-2	lever, clutch	1
7	03035020010100	bracket, housing, clutch lever(N/A)	1
8	03011010101010-3	bolt, housing, cluth lever (N/A)	1
9	03011010101010-4	adjuster, clutch cable (N/A)	1
10	06100005014100	lever, clutch grip	1
11	05025011000000	stop switch	1
12	05024011000000	start switch	1
13	03030010430106-1	master cylinder assy., front(N/A)	1
14	03030010430106-2	master cylinder, front(N/A)	1
15	03035020010100	bracket, master cylinder(N/A)	1
16	03030010430106-3	bolt, brake lever(N/A)	1
17	03007101010100	grip, LH	1
18	03008101010100	grip, RH	1
19	03009101000100	insert throttle handle	1
20	03014010110000	housing, throttle, bottom	1
21	03013010110000	housing, throttle, top	1
22	03015010110000	guide, throttle cable	1
23	GB/T818 M4*16	bolt M4*16	2
24	GB/T818 M5*16	bolt M5*16	2
25	GB/T5787 M6*25	bolt-flanged M6*25	4
26	GB/T889M6	nut, locking M6	2



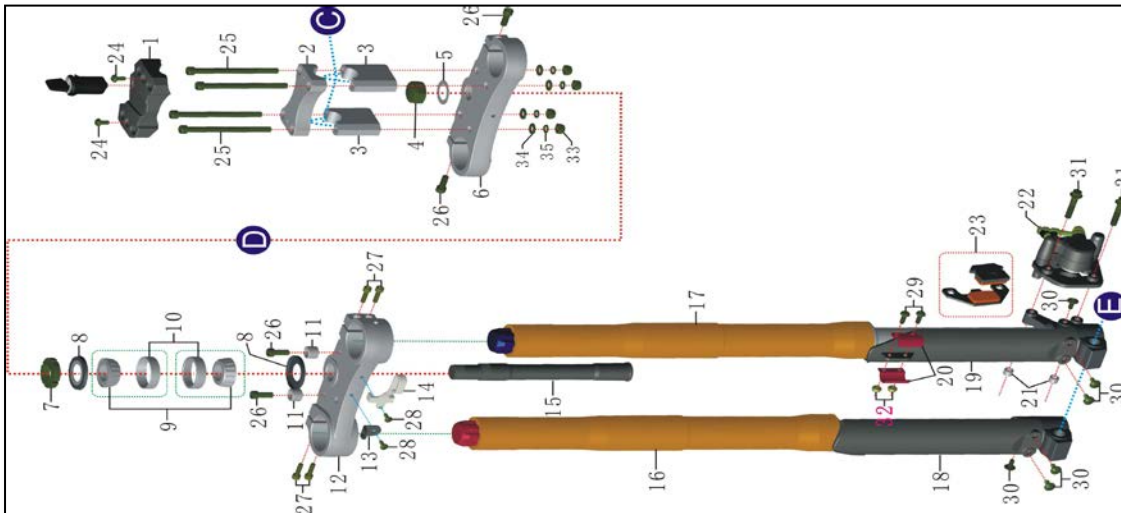
FRONT WHEEL ASSY.

Ref. No.	PART No.	DESCRIPTION	Qty.
1	03032040303000	disc, brake, front Φ 210	1
2	12160101210000	seal, dust 35*22*7	2
3	12070010019000	front rim bearing 6202-2RS	2
4	09010133220000	spacer Φ 15.5* Φ 22*36.5	1
5	04006101030030-1	spacer Φ 15.5* Φ 22*43	1
6	09010134220000	spacer Φ 15.5* Φ 22*28.5	1
7	04006101030030	rim assy. Front, 1.40*14"	1
8	04010010110030	rim, front 14"	1
9	04010020220030	hub, front	1
10	04010040210060	spokes	32
11	04010050210010	nut, spokes	32
12	04017003020000	inner tube protector band	1
13	04016005020000	inner tube	1
14	04015100502000	tire, front, 14"	1
15	04018101000000	cap, air valve, alloy	1
16	GB/T5787M14*225	bolt, flanged M14*225	1
17	12202105474200	bolt M8*20	4
18	GB/T6187M14	nut, flanged, locking M14	1
19	GB/T6170 M8	nut M8	1



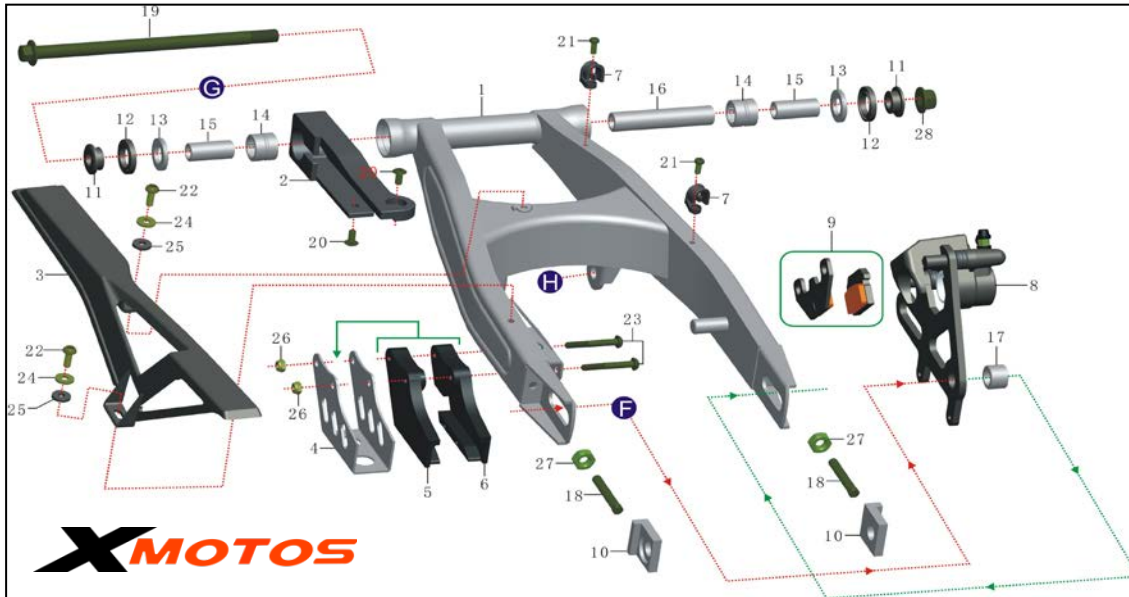
REAR WHEEL ASSY.

Ref. No.	PART No.	DESCRIPTION	Qty.
1	04020101530100	chain 428-114L	1
2	09016000100100	locking washer, sprocket	2
3	04021202030100	sprocket, rear 420-41T/ $\Phi 76 \times \Phi 92$	1
4	03033030303000	disc, brake, rear $\Phi 200$	1
5	12160101210000	seal, dust 35*22*7	2
6	12070010019000	front rim bearing 6202-2RS	2
7	09010131230000	spacer $\Phi 15.5 \times \Phi 22 \times 39.5$	1
8	04007101030150-1	spacer $\Phi 15.5 \times \Phi 22 \times 73$	1
9	09010134220000	spacer $\Phi 15.2 \times \Phi 22 \times 28.5$	1
10	04007101030150	rim, rear assy. 1.85*12"	1
11	04010010110150	rim, rear 12"	1
12	04010030220030	hub, rear	1
13	04010040210070	spokes	32
14	04010050210010	nut, spokes	32
15	04017002020000	inner tube protector band 12"	1
16	04016009020000	inner tube 12"	1
17	04015100902000	tire, front, 12"	1
18	0401810100000	cap, air valve	1
19	GB/T5787M14*215	bolt, flanged M14*215	1
20	GB/T5783M8*25	bolt M8*25	4
21	12202105474200	bolt M8*20	4
22	GB/T6187M14	nut, flanged, locking M14	1
23	GB/T6170 M8	nut M8	1



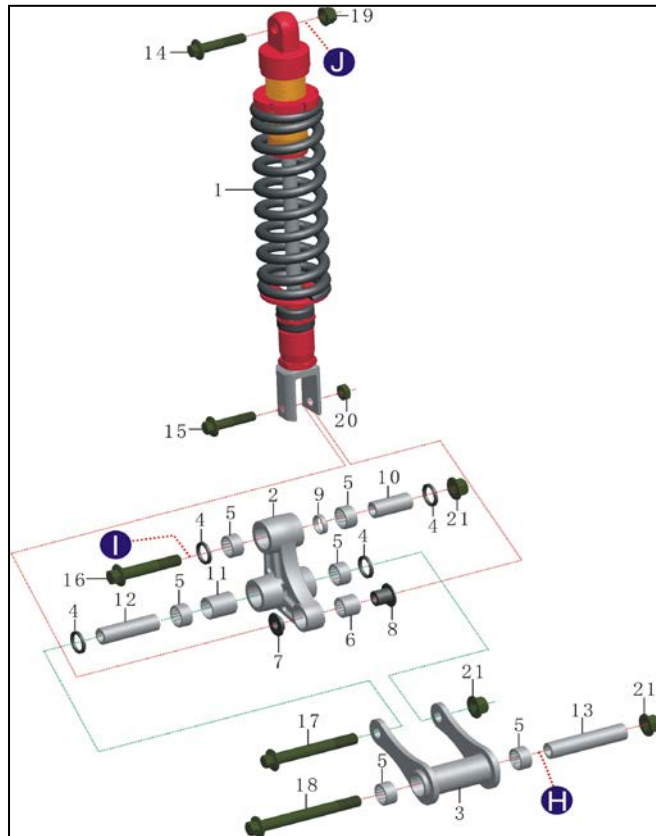
HANDLEBAR STEERING STEM AND FRONT SHOCK STRUCTURE

Ref. No.	PART No.	DESCRIPTION	Qty.
1	06100009011100	cover,key switch	1
2	03004021103031	riser, handle bar, top	1
3	03005022103031	riser, handle bar, bottom	2
4	12200701171600	nut, cap, steering stem M22	1
5	12201700101300	flat washer $\Phi 36*\Phi 22.5*0.5$	1
6	03002320603032	triple clamp, top	1
7	12201901571300	locking nut M25*1	1
8	12201702301201	seal, dust, top, steering stem	2
9	12070040003000	bearing 32005X	2
10		bearing race	
11	09011084240000	stopper,steering $\Phi 8.5*\Phi 13*12.5$	2
12	03003320603002	triple clamp, bottom	1
13	08034006010200	bracket,number plate	1
14	06100025012200	bracket, brake hose, (plastic)	1
15	03006030111000	steering stem 231mm	1
16	04008111904012	adjustable inverted fork, RF	1
17		adjustable inverted fork, LF	
16		non-adjustable, inverted, RF	1
17		non-adjustable, inverted, LF	
18	04008111904012-1	guard, fork, RH (protector)	1
19	04008111904012-2	guard, fork, LH (protector)	1
20	06100010013300	bracket, brake hose	2
21	09011135230000	spacer $\Phi 8.2*\Phi 12*6$	2
22	03030010430106-4	caliper, brake, front (Unavailable)	1
23	03030010430106-5	brake pads, front	1
24	GB/T70.2M6*12	bolt M6*12	2
25	GB/T70.1M8*110	bolt M8*110	4
26	GB/T70.1M8*20	bolt M8*20	4
27	GB/T70.1M6*20	bolt M6*20	4
28	GB/T818M5*16	bolt M5*16	2
29	GB/T70.2M6*16	bolt M6*16	2
30	04008111904012-3	bolt M6*8	6
31	GB/T5787M8*40	bolt-flanged M8*40	2
32	GB/T889M6	nut, locking M6	2
33	GB/T6187M8	nut,flanged,locking M8	4
34	GB/T97 Φ 8	flat washer $\Phi 8$	4
35	GB/T93 Φ 8	lock washer $\Phi 8$	4



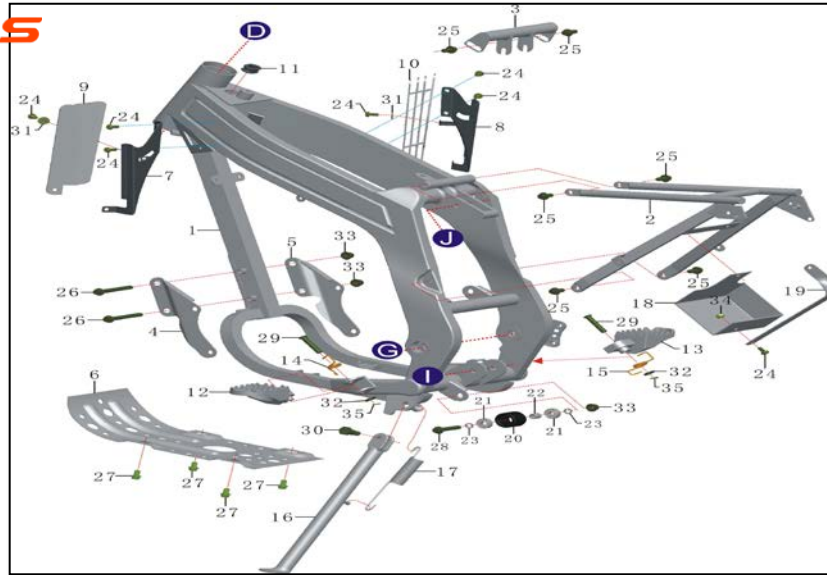
SWING ARM ASSY.

Ref. No.	PART No.	DESCRIPTION	Qty.
1	07003022102020	rear swing arm	1
2	06100001014100	guide, chain, swing arm	1
3	06024011010000	cover, chain	1
4	07029031102000	plate, chain guide	1
5	06100006014100-L	chain guide insert, rubber, LH	1
6	06100006014100-R	chain guide insert, rubber, RH	1
7	06100030011100	bracket, brake hose	2
8	03031011130100-1	caliper, brake, rear(N/A)	1
9	03034010050102	brake pads, rear	1
10	09017112070000	adjuster, wheel	2
11	09011120220000	spacer $\Phi 12.2 \times \Phi 20 \times \Phi 28 \times 10$	2
12	12160100110000	seal, dust 20*32*5	2
13	12070060002000	bearing 17*30*4	2
14	12070070017000	bearing NK17/20	2
15	09012023110000	spacer $\Phi 12.1 \times \Phi 17 \times 38$	2
16	09011119210000	spacer $\Phi 12.5 \times \Phi 18 \times 88$	1
17	09010132220000	spacer $\Phi 15.2 \times \Phi 22 \times 15$	1
18	12200206071200	rear jack bolts M8*50	2
19	GB/T5787M12*215	bolt, flanged M12*215	1
20	GB/T818M6*12	bolt M6*12	2
21	GB/T818 M5*12	bolt M5*12	2
22	GB/T70.2M6*16	bolt M6*16	2
23	GB/T70.2M6*45	bolt M6*45	2
24	GB/96 $\Phi 6$	flat washer $\Phi 6$	2
25	06100027014100	rubber washer $\Phi 6$	2
26	GB/T889M6	nut, locking M6	2
27	12020110040712	nut M8	2
28	GB/T6187M14	nut, flanged, locking M14	1



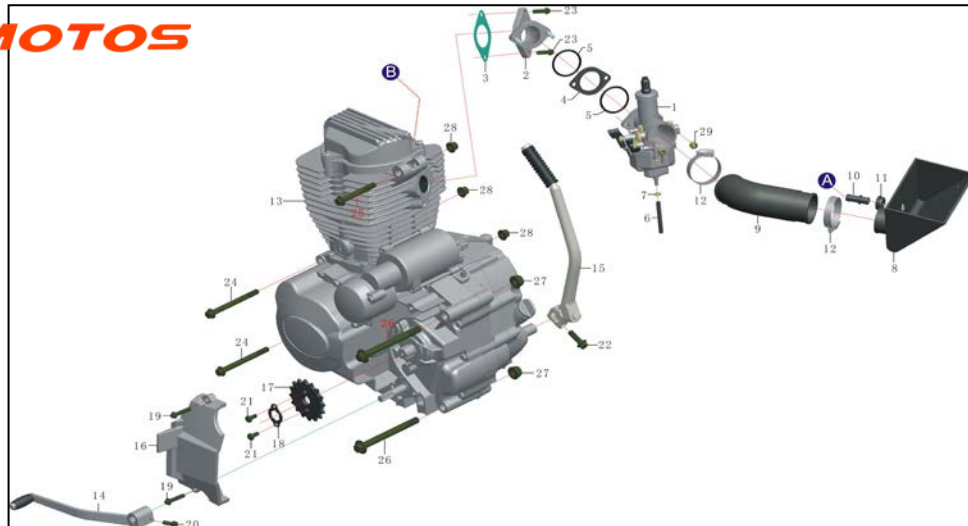
REAR SHOCK AND LINKAGE ASSY.

Ref. No.	PART No.	DESCRIPTION	Qty.
1	04003112101010	rear shock L=430mm	1
2	07031031210000	linkage, suspension	1
3	07028031102000	suspension, tie rod	1
4	12160100210000	seal, dust 18*24*3	4
5	12070070004000	bearing HK1812	6
6	12070070005000	bearing HK162216	1
7	09012001110000	spacer $\Phi 10.2 * \Phi 16 * 6$	1
8	09012002110000	spacer $\Phi 10.2 * \Phi 16 * 17$	1
9	09011091240000	spacer $\Phi 20 * \Phi 24 * 6$	1
10	09012006110000	spacer $\Phi 12.2 * \Phi 18 * 40$	1
11	09011092240000	spacer $\Phi 20 * \Phi 24 * 27$	1
12	09012007110000	spacer $\Phi 12.2 * \Phi 18 * 61$	1
13	09012008110000	spacer $\Phi 12.2 * \Phi 18 * 83$	1
14	GB/T5787M10*50	bolt-flanged M10*50	1
15	GB/T5787M10*45	bolt-flanged M10*45	1
16	GB/T5787M12*65	bolt-flanged M12*65	1
17	GB/T5787M12*90	bolt-flanged M12*90	1
18	GB/T5787M12*110	bolt-flanged M12*110	1
19	GB/T6187M10	nut,flanged,locking M10	1
20	GB/T6170 M10	nut M10	1
21	GB/T6187M12	nut,flanged,locking M12	3



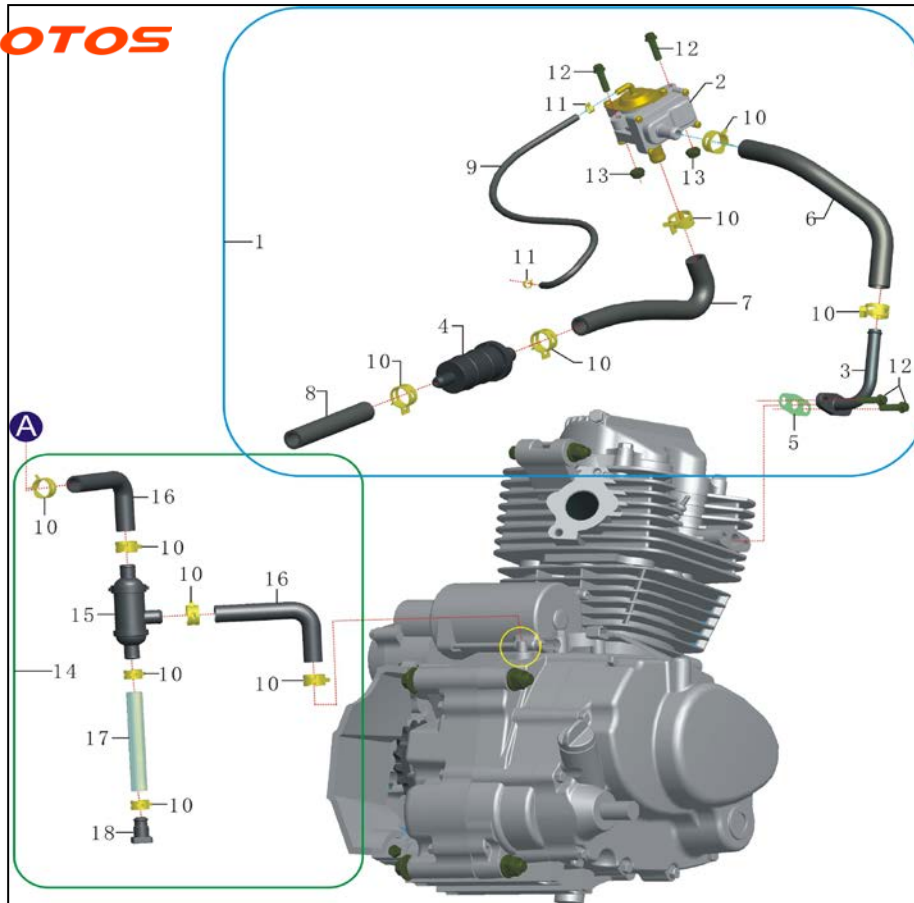
FRAME & SUB-FRAME ASSY.

Ref. No.	PART No.	DESCRIPTION	Qty.
1	07001022102000	frame	1
2	07002021102000	sub-frame	1
3	07033031102000	bracket top, engine	1
4	07014031102000	bracket, engine LH	1
5	07015031102000	bracket, engine RH	1
6	07035021102000	soleplate,engine	1
7	07011031102000	bracket, air deflector, LH	1
8	07012031102000	bracket, air deflector, RH	1
9	06019031020000	air deflector, LH	1
10	06020031020000	air deflector, RH	1
11	6100028014100	grommet, round	1
12	07019031102000	foot rest, LH	1
13	07020031112000	foot rest, RH	1
14	09015202120000	spring, foot rest, LH	1
15		spring, foot rest, RH	1
16	07006021112000	kick stand	1
17	09015109120000	spring, kick stand	1
18	07036021102000	box, battery	1
19	07037021102000	bracket, battery box	1
20	06100008014100	roller, guide, chain	1
21	12070010001000	bearing 608Z	2
22	09011014210000	spacer $\Phi 12 * \Phi 10 * 12$	1
23	09011002210000	spacer $\Phi 12 * \Phi 8 * 3$	2
24	GB/T70.2M6*12	bolt M6*12	7
25	GB/T5787M8*16	bolt-flanged M8*16	6
26	GB/T5787M8*70	bolt-flanged M8*70	2
27	GB/T5787M8*12	bolt-flanged M8*12	4
28	GB/T5787M8*45	bolt-flanged M8*45	1
29	12080110011200	pin, rod $\Phi 8 * 40$	2
30	12201015271200	bolt M10*25	1
31	GB/96 $\Phi 6$	flat washer $\Phi 6$	2
32	GB/97 $\Phi 8$	flat washer $\Phi 8$	2
33	GB/T6187M8	nut,flanged,locking M8	3
34	GB/T889M6	nut, locking M6	1
35	12080210521200	cotter pin	2



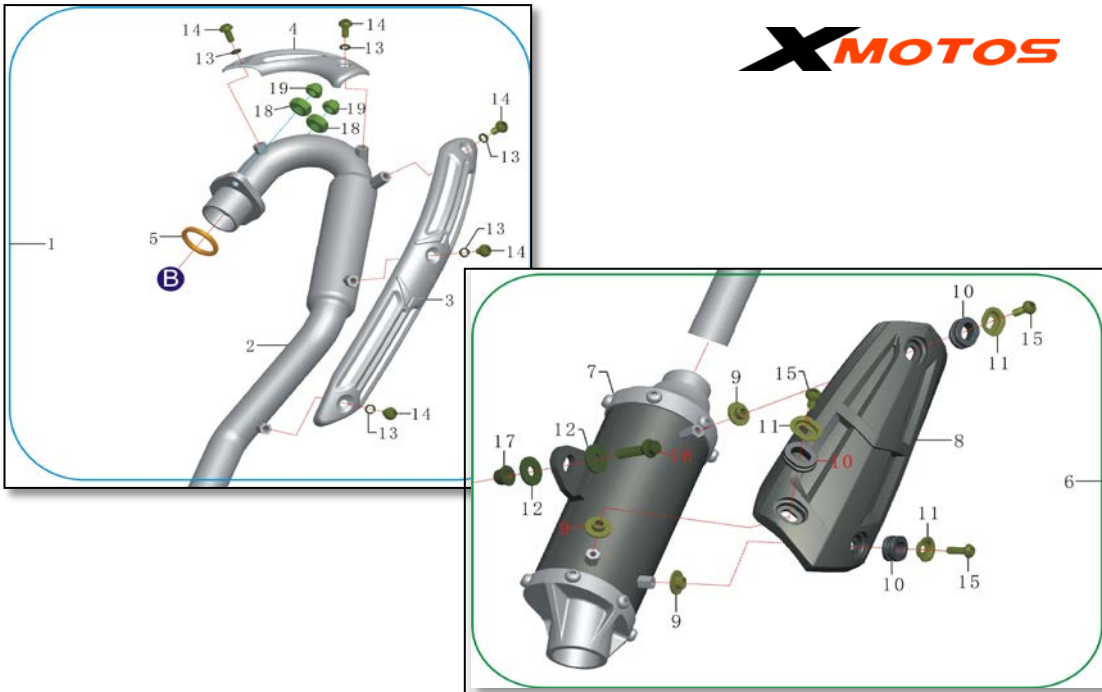
ENGINE,CARBURETOR AND AIR FILTER ASSY

Ref. No.	PART No.	DESCRIPTION	Qty.
1	02024010600100	carburetor PZ27 (EPA)	1
1		carburetor PZ27 (STANDARD)	1
2	010107047310202-1	manifold, air intake	1
3	010107047310202-2	gasket, air intake	1
4	010107047310202-3	spacer, (composite plastic)	1
5	010107047310202-4	O-ring, carburetor, (rubber)	2
6	06100029014100	hose,overflow	1
7	12300210100100	clamp, hose Φ6	1
8	02004020110000	air filter	1
9	02011021110000	duct, funnel	1
10	02015031110000	air intake pipes	1
11	06100021014100	grommet	1
12	12300320200000	clamp, duct	2
13	010107047310202	ZS 150CC engine	1
14	02028101020200	lever, gear shift	1
15	20084002170100	lever, kick start	1
16	010107047310202-5	cover, chain	1
17	20082201000501	sprocket, engine 428-16T	1
18	20082301040100	locking washer, sprocket	1
19	GB/T5787M6*30	bolt, flanged M6*30	2
20	GB/T5783M6*20	bolt M6*20	1
21	GB/T5783M6*8	bolt M6*8	2
22	GB/T5787M8*25	bolt, flanged M8*25	1
23	GB/T5787M6*20	bolt, flanged M6*20	2
24	GB/T5787M8*70	bolt, flanged M8*70	2
25	GB/T5787M8*65	bolt, flanged M8*65	1
26	GB/T5787M10*110	bolt, flanged M10*110	2
27	GB/T6187M10	nut, flanged, locking M10	2
28	GB/T6187M8	nut, flanged, locking M8	3
29	GB/T889M6	nut, locking M6	2

XMOTOS
EMISSION AIR CIRCULATION VALVE ASSY. / OIL - AIR SPERATOR ASSY.

Ref. No.	PART No.	DESCRIPTION	Qty.
1	02022010210100	actuator valve assy.	1
2	02022010210100-1	2 Valve (Unavailable)	1
3	02022010210100-2	pipe for air fitter (Unavailable)	1
4	02022010210100-3	filter (Unavailable)	1
5	20063101100100	washer	1
6	02022010210100-4	hose, intake 1 (Unavailable)	1
7	02022010210100-5	hose, intake 2 (Unavailable)	1
8	02022010210100-6	hose, intake 3 (Unavailable)	1
9	02022010210100-7	hose, intake 4 (Unavailable)	1
10	12300210500100	clamp, hose Φ 11 (Unavailable)	11
11	12300210100100	clamp, hose Φ 6 (Unavailable)	2
12	GB/T5787M6*20	bolt, flanged M6*20	2
13	GB/T889M6	nut, locking M6	2
14	02022010210100-8	air/oil seperator assy.	1
15	02022010210100-9	air/oil seperator (Unavailable)	1
16	02022010210100-10	hose, (Unavailable) 1	2
17	02022010210100-11	hose, (Unavailable) 2	1
18	02022010210100-12	cap, air/oil seperator (Unavailable)	1

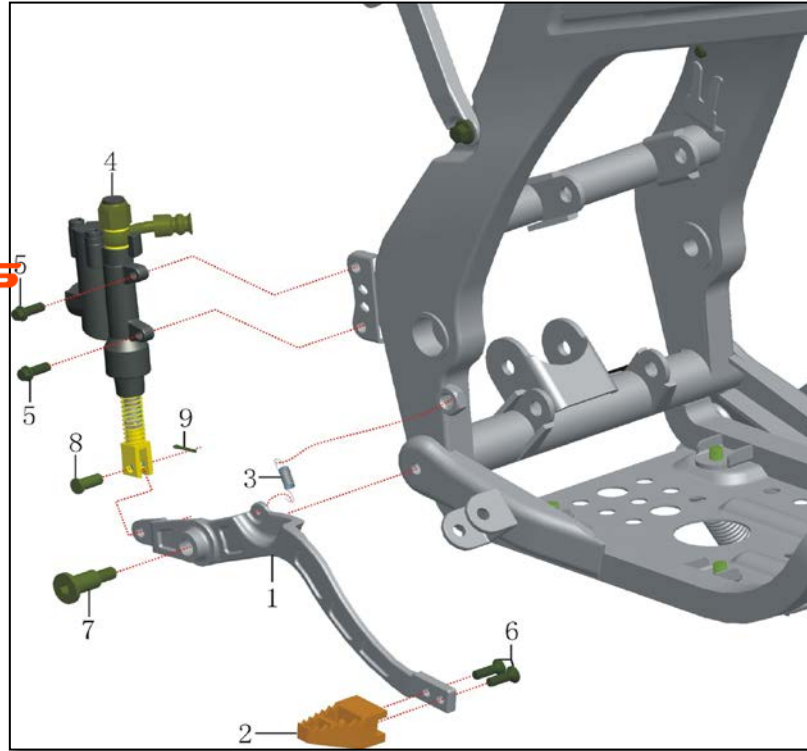
XMOTOS



EXHAUST ASSY.

Ref. No.	PART No.	DESCRIPTION	Qty.
1	02002021240000	exhaust assy.	1
2	02002021240000-1	exhaust (Unavailable)	1
3	02002021240000-2	shield, exhaust 1 (Unavailable)	1
4	02002021240000-3	shield, exhaust 2 (Unavailable)	1
5	02017002000000	seal, exhaust	1
6	02003020310000	muffler assy.	1
7	02003020310000-1	muffler (Unavailable)	1
8	06025011010000	shield, heat, muffler	1
9	09011105220000	spacer $\Phi 7 * \Phi 10.3 * \Phi 20 * 7$	3
10	06100004014101	grommet, oval	3
11	12202600111200	washer, oval $\Phi 5$	3
12	GB/T96 $\Phi 8$	flat washer $\Phi 8$	2
13	GB/T93 $\Phi 6$	lock washer $\Phi 6$	5
14	GB/T70.2M6*12	bolt M6*12	5
15	GB/T70.2M6*16	bolt M6*16	3
16	GB/T5787M8*30	bolt, flanged M8*30	1
17	GB/T6187M8	nut, flanged, locking M8	1
18	GB/T6170 M8	nut M8	2
19	GB/T802 M8	nut M8	2

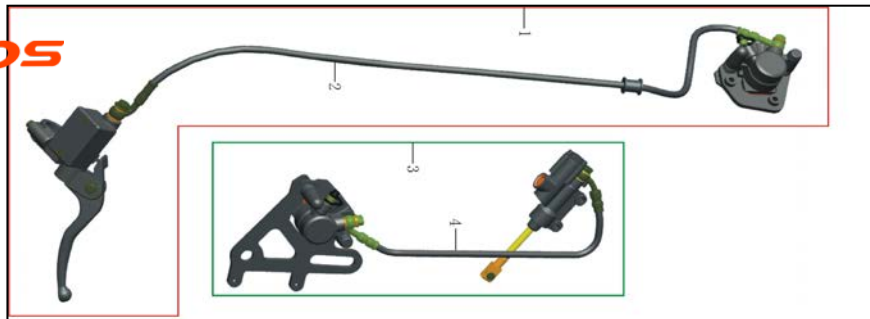
XMOTOS



REAR BRAKE ASSY.

Ref. No.	PART No.	DESCRIPTION	Qty.
1	07005031102000	lever, brake, rear	1
2	07032031212000	brake lever tip (alloy)	1
3	09015113120000	spring, bracket, brake, rear	1
4	003031011130100-2	master cylinder, rear(Unavailable)	1
5	GB/T5787M6*16	bolt, flanged M6*16	2
6	GB/T70.3 M6*16	bolt, M6*16	2
7	12202015474200	bolt M10*35	1
8	12080110031200	pin, lever, brake	1
9	12080210521200	cotter pin Φ 2	1

XMOTOS



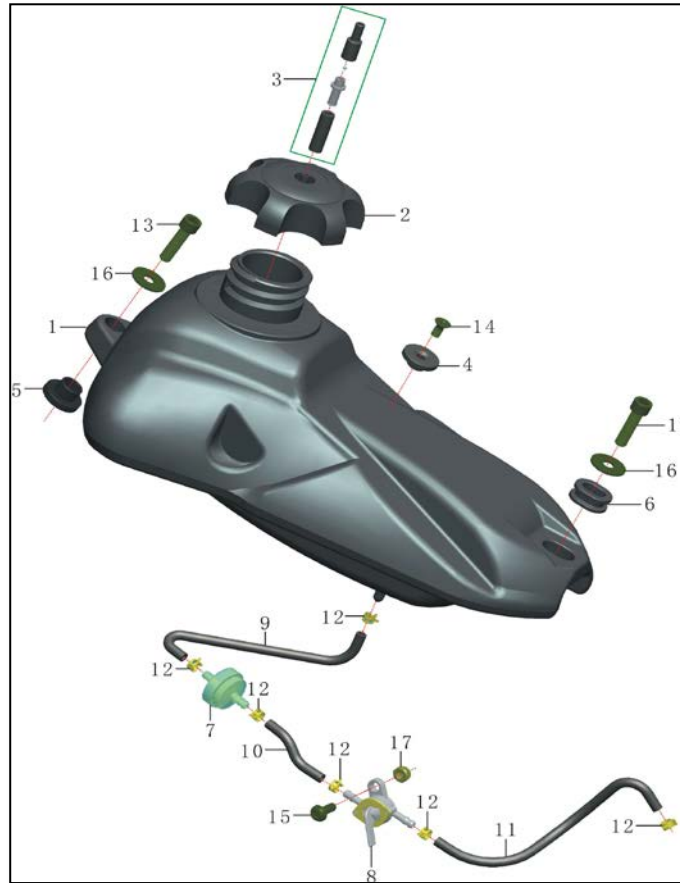
BRAKE HOSE ASSY.

Ref. No.	PART No.	DESCRIPTION	Qty.
1	03030010430106	brake assy., front	1
2		hose, brake, front	1
3	03031011130100	brake assy., rear	1
4		hose, brake, rear	1



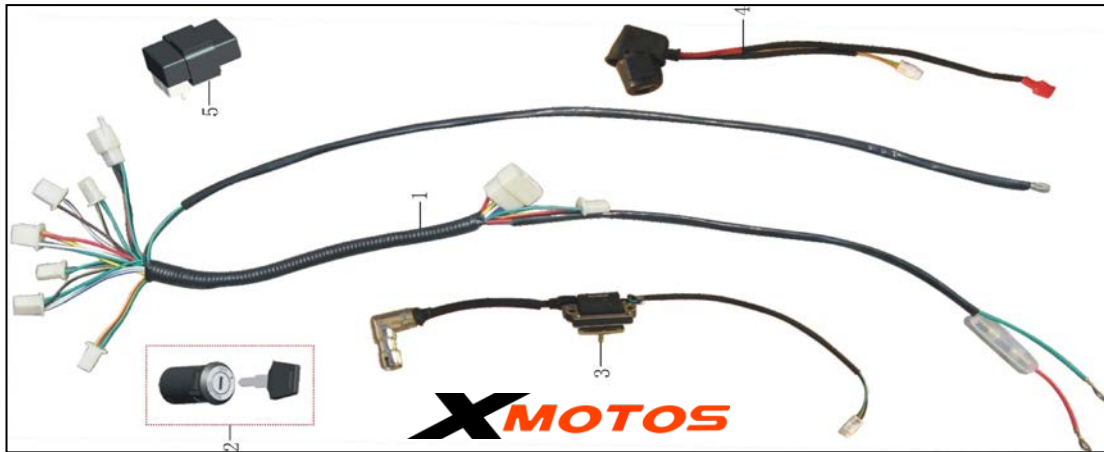
FENDER AND SEAT ASSY.

Ref. No.	PART No.	DESCRIPTION	Qty.
1	06001022010000	seat	1
2	06014021030000	fairing, fuel tank, RH	1
3	06013021030000	fairing, fuel tank, LH	1
4	06015021020000	fairing, rear, LH	1
5	06016021020000	fairing, rear, RH	1
6	06012021030000	fender, front	1
7	06018021030000	fender, rear	1
8	06011021020000	front number plate	1
9	GB/T70.2M6*16	bolt M6*16	8
10	GB/T70.2M6*12	bolt M6*12	2
11	GB/T70.2M6*20	bolt M6*20	4
12	GB/T70.1M8*20	bolt, allen head M8*20	2
13	GB/T70.2M6*25	bolt M6*25	1
14	GB/T70.2M6*30	bolt M6*30	1
15	GB/96Φ6	flat washer Φ6	16
16	GB/97Φ8	flat washer Φ8	2
17	06100027014100	rubber washer Φ6	15
18	GB/T6177M6	nut M6	6



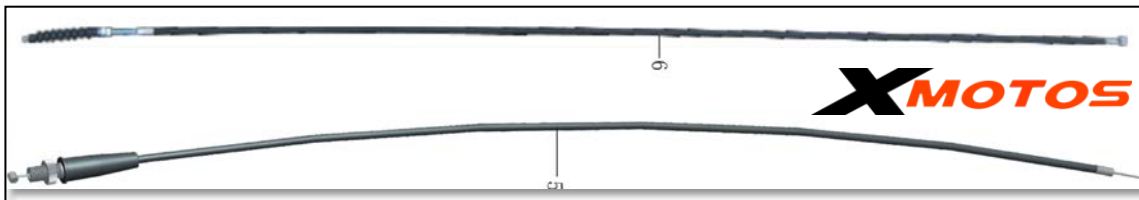
FUEL TANK ASSY.

Ref. No.	PART No.	DESCRIPTION	Qty.
1	06002021100000	fuel tank (EPA)	1
1		fuel tank (standard)	1
2	06003022120000	fuel tank cap (EPA)	1
2		fuel tank cap (standard)	1
2		fuel tank cap, alloy	1
3	06003011010200-1	hose, breather	1
4	06100026022100	bracket, seat	1
5	06100028014100	grommet, round	1
6	06100028014100	grommet, round	1
7	06041011010100	gasoline filter	1
8	06040011010200	fuel pet-cock	1
9	06100029014100	hose, fuel 1 (EPA)	1
10	06100029014100	hose, fuel 2 (EPA)	1
11	06100029014100	hose, fuel 3 (EPA)	1
12	12300210100100	clamp, hose Φ6	6
13	GB/T70.1M8*30	bolt, allen head M8*30	2
14	GB/T819M6*12	bolt M6*12	1
15	GB/T70.2M6*16	bolt M6*16	1
16	GB/T96Φ8	flat washer Φ8	2
17	GB/T889M6	nut,locking M6	1



ELECTRICAL

Ref. No.	PART No.	DESCRIPTION	Qty.
1	05008021000000	wiring harness	1
2	05006110110100	key switch	1
3	05001111200000	Ignition coil	1
4	05004101000100	solenoid, starter	1
5	05003101010000	CDI	1



CABLES

Ref. No.	PART No.	DESCRIPTION	Qty.
5	03020006051010	cable, throttle	1
6	03021009022010	cable, clutch	1

TOOL KIT

Ref. No.	PART No.	DESCRIPTION	Qty.
1	10030002000100	tool kit	1

STICKER KIT

Ref. No.	PART No.	DESCRIPTION	Qty.
1	10010008280011	sticker kit	1