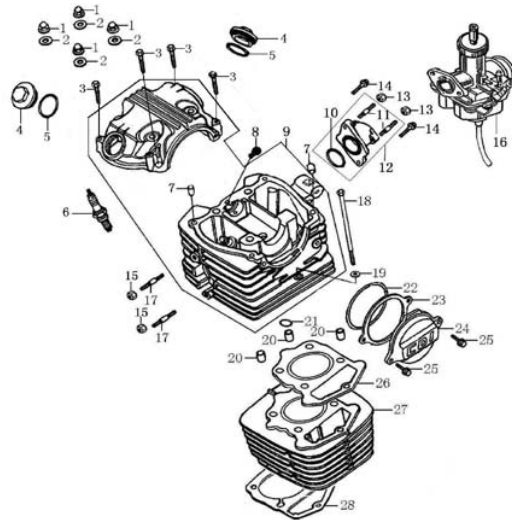


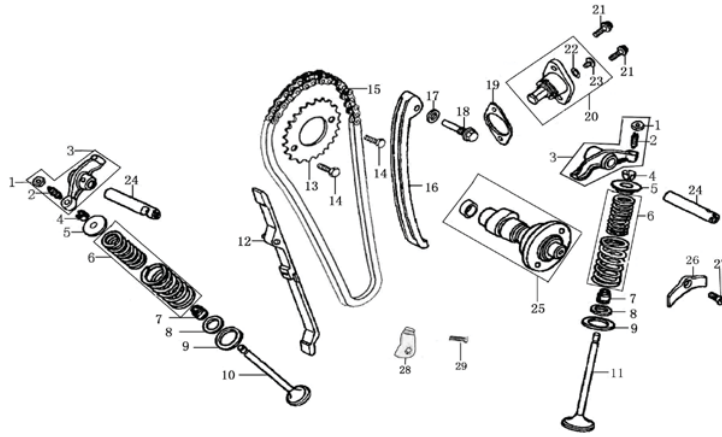
## CYLINDER HEAD ASSY/CYLINDER ASSEMBLY



气缸头部件/气缸体部件  
CYLINDER HEAD ASSY/CYLINDER ASSEMBLY

NO.	(PART CODE )	DESCRIPTION	QTY
1	91201-I006-00000X	NUT M8	4
2	93301-80852018000	WASHER 8.5×2×18	4
3	B166740A06003570X	BOLT M6×35	4
4	11230-I006-00000G	COVER, VALVE CHAMBER	2
5	90101-20350000300	O-RING 35×3	2
6	81300-I006-0000	SPARK PLUG	1
7	91521-08001400000	PIN 8×14×6.3	2
8	11015-I006-0000	RUBBER, CASING CAP	1
9	1122B-LA74-010086	CYLINDER HEAD ASSY	1
10	90101-20335000300	O-RING 33.5×3	1
11	91127-I006-0000	BOLT	2
12	15800-L044-0041	INLET PIPE	1
13	B061700006000090X	NUT M6	2
14	B057830006002070X	BOLT M6×20	2
15	B061700008000090X	NUT M8	2
16	17100-LZ66-0066	CARBURETOR	1
17	91138-I008-01000X	BOLT M8×38	2
18	91165-IA20-00000X	BOLT M6×119	1
19	93301-3062201300B	WASHER 6.2×2×13	1
20	91521-10002000000	PIN 10×20	3
21	90101-20100000160	O-RING 10×1.6	1
22	90101-20750000265	O-RING 75×2.65	1
23	90202-I006-0000	GASKET,L,CYLINDER HEAD COVER	1
24	11227-I006-000186	LEFT COVER, CYLINDER HEAD	1
25	B166740A06002070X	BOLT M6×20	2
26	9022B-LA74-0000	GASKET ASSY,CYLINDER HEAD	1
27	1110B-LA74-000086	CYLINDER BLOCK ASSEMBLY	1
28	90205-J025-0000	GASKET,CYLINDER BLOCK	1

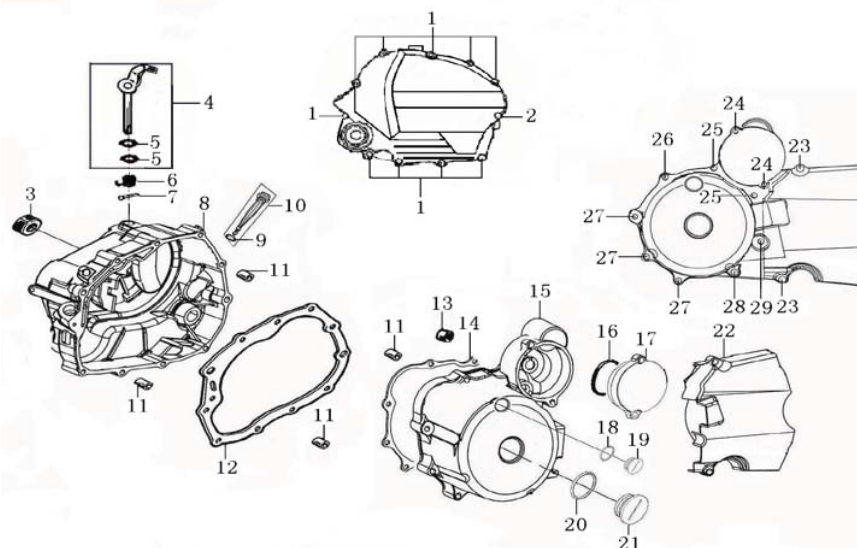
## VALVE MECHANISM



配气机构 VALVE MECHANISM

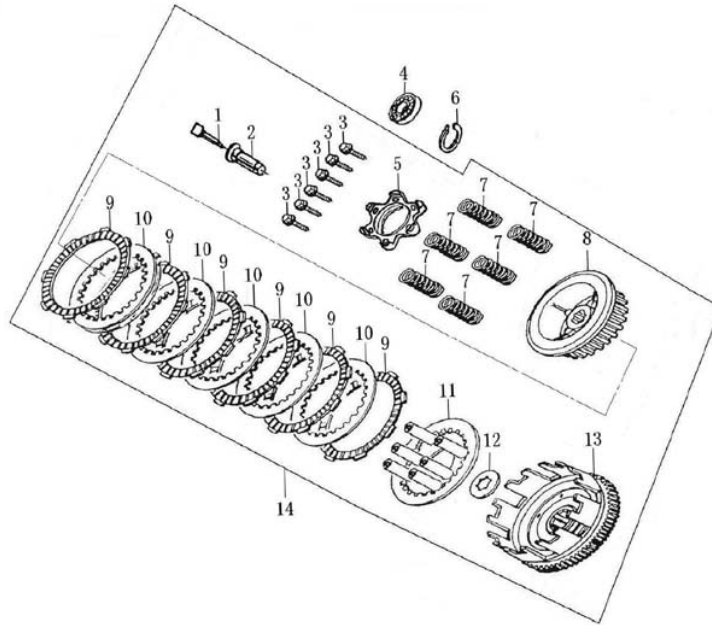
NO.	(PART CODE )	DESCRIPTION	QTY
1	15403-I006-0000	NUT, VALVE CLEARANCE	2
2	15404-I006-0000	SCREW, VALVE CLEARANCE	2
3	1540A-I006-0000	ROCKER ARM ASSEMBLY, VALVE	2
4	15707-I006-0000	VALVE LOCKER	4
5	15705-I006-0000	SPRING SEAT	2
6	15710-I006-0000	INNER SPRING, ASSY	2
7	1572B-I008-0000	SEAL, VALVE STEM	2
8	15708-I008-0000	SPRING SEAT	2
9	15706-I008-0000	OUTER VALVE SPRING RETAINER	2
10	15702-LA74-0000	EXHAUST VALVE	1
11	15701-LA74-0000	INTAKE VALVE	1
12	1553A-LA74-0000	GUIDE PLATE CHAIN	1
13	15301-L044-0000	TIMING DRIVEN SPROCKET	1
14	B057830006001070B	BOLT M6×10	2
15	1532B-LA74-0000	SPROCKET CHAIN	1
16	1552A-LA74-0000	TENSION PLATE ASSY	1
17	93301-70851514000	WASHER 8.5×1.5×14	1
18	91109-I006-00000X	BOLT	1
19	90211-I049-0000	GASKET, TENSIONER	1
20	1554B-I049-000086	PLUG OF TIGHTENER	1
21	B000700106001670X	SCREW M6×16	2
22	90101-20090000180	O-RING 9×1.8	1
23	91120-I006-0000	BOLT	1
24	15402-I006-0100	ROCKER SHAFT	2
25	15100-I006-4001	GAMP SHAFT COMP	1
26	11201-I006-0000	POSITION PLATE, ROCKER SHAFT	1
27	B008190106001620B	SCREW M6×16	1
28	2143B-L044-0000	ASSEMBLY, CHAIN PROTECT PLATE	1
29	B166740006001670B	BOLT M6×16	1

## CRANKCASE COVER



NO.	(PART CODE )	DESCRIPTION	QTY
1	B166740A06004070X	BOLT M6×40	10
2	B166740A06005070X	BOLT M6×50	1
3	90304-I006-0000	OIL SEAL 16×28×7	1
4	2242A-I006-03010X	CONTROLLING ARM ASSEMBLY, CLUTCH	1
5	90101-30087000190	O-RING 8.7×1.9	2
6	22427-I006-0000	CLUTCH CONTROLLING ARM SPRING	1
7	B0087901030120000	PIN 3×12	1
8	12421-I008-990285	COVER COMP. RIGHT CRANKCASE	1
9	90101-10180000300	O-RING 18×3	1
10	14301-I006-0000	OIL RULER ASSY	1
11	91521-08001400000	PIN 8×14×6.3	4
12	90206-I008-0000	GASKET , R.CRANKCASE COVER	1
13	92102-I008-0001	BEARING	1
14	90204-I049-0000	GASKET , L.CRANKCASE COVER	1
15	12301-I049-000185	FRONT PART , L.CRANKCASE COVER	1
16	90101-10630000265	O-RING 63×2.65	1
17	12308-I049-000085	COVER,REDUCTION GEAR	1
18	90101-10132000265	O-RING 13.2×2.65	1
19	12303-G011-000085	CAP, SMALL VIEW HOLE	1
20	90101-10274000265	O-RING 27.4×2.65	1
21	12304-G011-000085	CAP, BIG VIEW HOLE	1
22	12302-I049-000085	BACK PART , L.CRANKCASE COVER	1
23	B166740A06002870X	BOLT M6×28	2
24	B166740A06002070X	BOLT M6×20	2
25	B166740A06005570X	BOLT M6×55	2
26	B166740A06003570X	BOLT M6×35	1
27	B166740A06002570X	BOLT M6×25	3
28	B166740A06004570X	BOLT M6×45	1
29	B166740A06006070X	BOLT M6×60	1

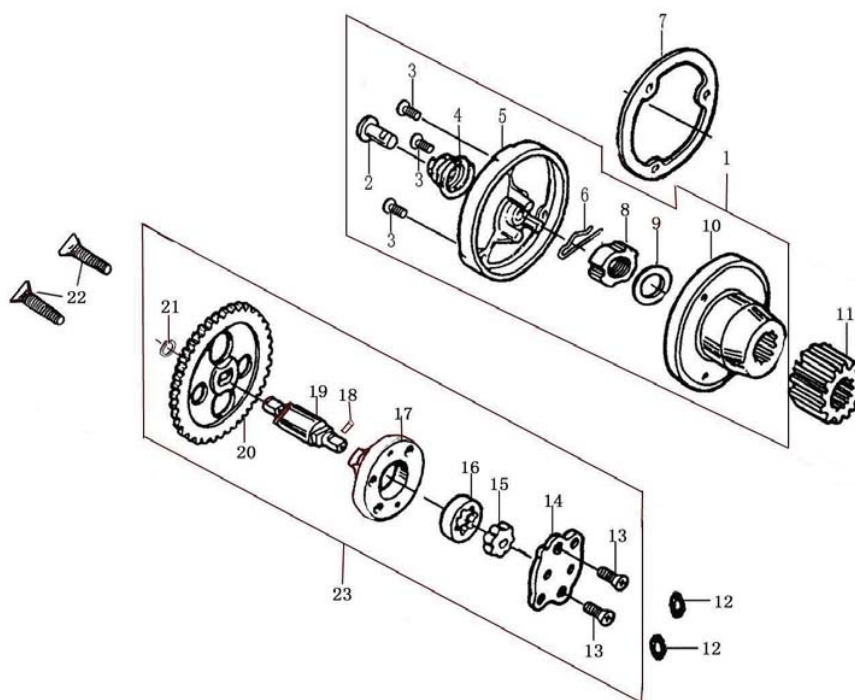
## CLUTCH ASSY



离合器总成  
CLUTCH ASSY

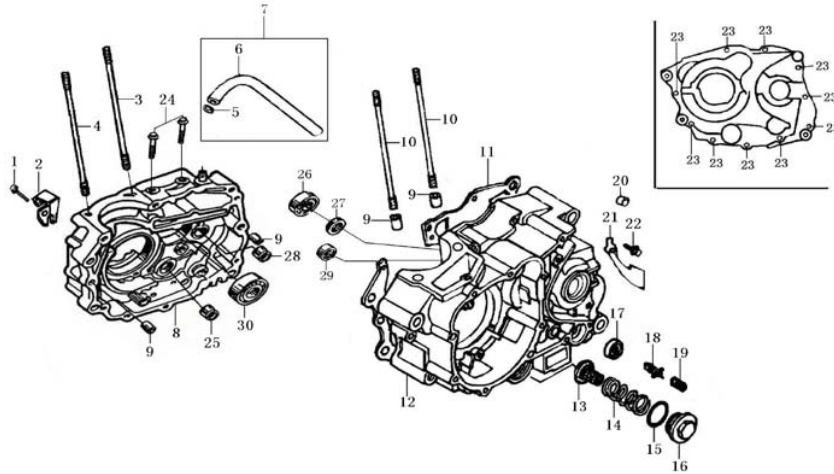
NO.	(PART CODE )	DESCRIPTION	QTY
1	22314-I008-0100	ROD,CLUTCH PUSH	1
2	22401-I006-0000	SEPARATING AXLE SLEEVE	1
3	91129-J034-00000B	BOLT M5×20	6
4	92102-00000016003	BEARING (16003)	1
5	22121-LA12-0000	END COVER,CLUTCH	1
6	91403-I008-0000	ELASTIC CHECK RING	1
7	22142-LA73-0000	SPRING, CLUTCH	6
8	22105-LA73-0000	CENTER SLEEVE, CLUTCH	1
9	22214-LA73-0000	DRIVE FRICTION DISK	6
10	22215-J034-0000	OUTER FRICTION DISK A	5
11	22122-LA73-0000	PRESSURE PLATE, CLUTCH	1
12	22002-I006-0000	WASHER	1
13	22150-LA73-0000	OUT CASE ASSEMBLY, CLUTCH	1
14	22000-LA73-0807	CLUTCH ASSY	1

## OIL PUMP/OIL FILTER



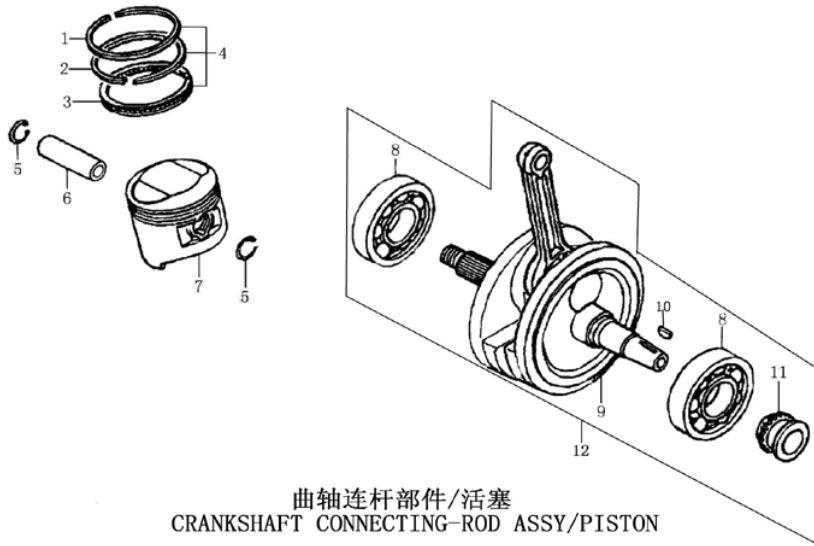
NO.	(PART CODE )	DESCRIPTION	QTY
1	14200-I006-0000	OIL FILTER,COMP	1
2	14201-I006-0000	OIL PIPE	1
3	B008190105001220B	SCREW M5×12	3
4	14202-I006-0000	SPRING, OIL PIPE	1
5	14207-I006-0000	OIL FILTER COVER	1
6	14208-I006-0000	OPEN PIN	1
7	90209-I006-0000	GASKET, OIL FILTER	1
8	91203-I008-0000	NUT	1
9	22004-I006-0000	DISH WASHER, CLUTCH	1
10	14205-I006-0000	OIL FILTER BODY	1
11	23101-I006-0000	PRIMARY DRIVE GEAR	1
12	90101-10094000240	O-RING 9.4×2.4	2
13	B008180004001020C	SCREW M4×10	2
14	14108-L044-0000	OIL PUMP COVER	1
15	14111-L044-0000	INNER ROTOR, OIL PUMP	1
16	14112-L044-0000	OUTER ROTOR, OIL PUMP	1
17	14110-L044-0000	OIL PUMP BODY	1
18	B0011902025100000	PIN 2.5×10	1
19	14107-L044-0000	SHAFT, OIL PUMP	1
20	14102-L044-0000	GEAR, OIL PUMP	1
21	B00896000600000000	CIRCLIP 6	1
22	B008190106003020B	SCREW M6×30	2
23	14100-L044-0000	OIL PUMP ASSY	1

## CRANKCASE



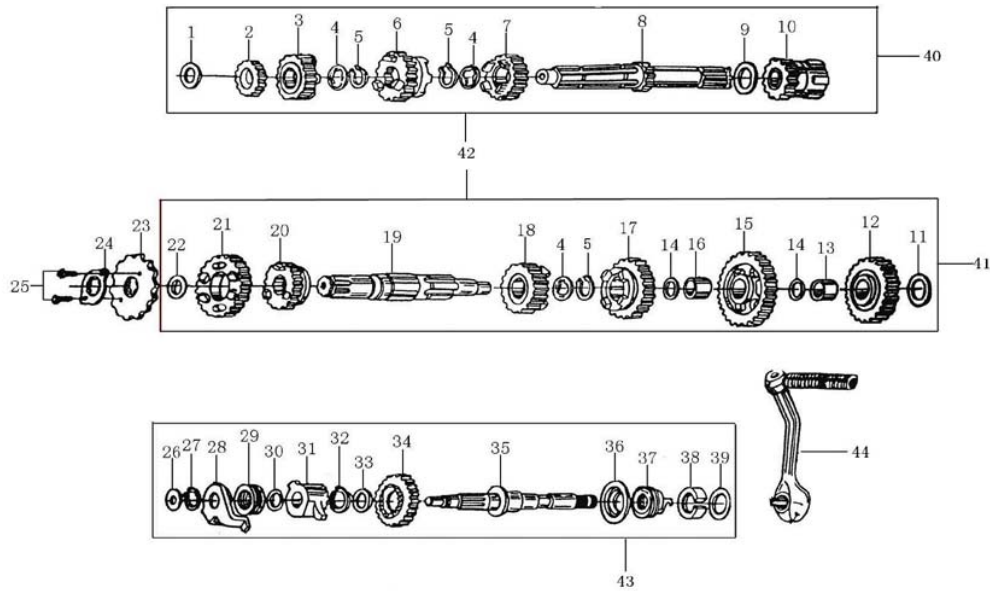
NO.	(PART CODE )	DESCRIPTION	QTY
1	B166740A06005570X	BOLT M6×55	1
2	22422-I006-00010X	HOLDER, CLIUTCH CABLE	1
3	91101-LA74-0000	CYLINDER STUD BOLT A	1
4	91101-LA74-0100	CYLINDER STUD BOLT A	1
5	18097-I008-0000	CLAMP	1
6	12105-I008-0001	BREATHER PIPE	1
7	12130-I008-0001	PIPE ASSY	1
8	1222B-J034-000185	RIGHT CRANKCASE BLOCK	1
9	91521-10001400000	PIN 10×14	4
10	91102-LA74-0100	CYLINDER STUD BOLT B	2
11	90208-ME05-0000	GASKET, CRANKCASE	1
12	1212B-I049-000085	LEFT CRANKCASE BLOCK	1
13	1431B-I006-0000	STRAINER, OIL FILTER	1
14	14221-I006-0000	SPRING, OIL FILTER STRAINER	1
15	90101-20350000300	O-RING 35×3	1
16	11230-I006-00000W	COVER, VALVE CHAMBER	1
17	90301-I006-0000	OIL-SEAL 14×28×7	1
18	8804B-I006-0000	NEUTRAL SWITCHING CAMBINING ASSEMBLY	1
19	88016-I022-0000	NEUTRAL POSITION INDICATOR RING	1
20	92102-I008-0001	BEARING	1
21	12103-I008-0000	POSITION PLATE	1
22	B166740A06001270B	BOLT M6×12	1
23	B166740A06005070X	BOLT M6×50	10
24	B166740A06002870X	BOLT M6×28	2
25	92102-000HK212810	BEARING (HK212810)	1
26	92102-00000006204	BEARING (6204)	1
27	90303-I006-0000	OIL SEAL 20×34×7	1
28	92102-000NK152312	BEARING (NK152312)	1
29	92102-0000TM6202Z	BEARING (TM6202Z)	1
30	92102-00000006006	BEARING (6006)	1

## CRANKSHAFT CONNECTING-ROD ASSY/PISTON



NO.	(PART CODE )	DESCRIPTION	QTY
1	13103-LA66-0000	PISTON RING 1	1
2	13104-LA66-0000	PISTON RING 2	1
3	13120-LA66-0000	OIL RING ASSY	1
4	1310A-LA66-0000	PISTON RING COMP	1
5	91401-I006-0000	CHECK RING, PISTON PIN	2
6	13102-LA66-0000	PIN PISTON	1
7	13101-LA66-0404	PISTON	1
8	92102-00063-28-P5	BEARING (63/28/P5)	2
9	13220-LA74-0002	CONNECTING ROD COMP 3	1
10	91601-I008-0000	SEMICIRCULAR KEY	1
11	13222-I059-0000	HUB DUMP CHAIN SPROCKET	1
12	1320B-LA74-1305	CRANKSHAFT CONNECTING-ROD ASSY	1

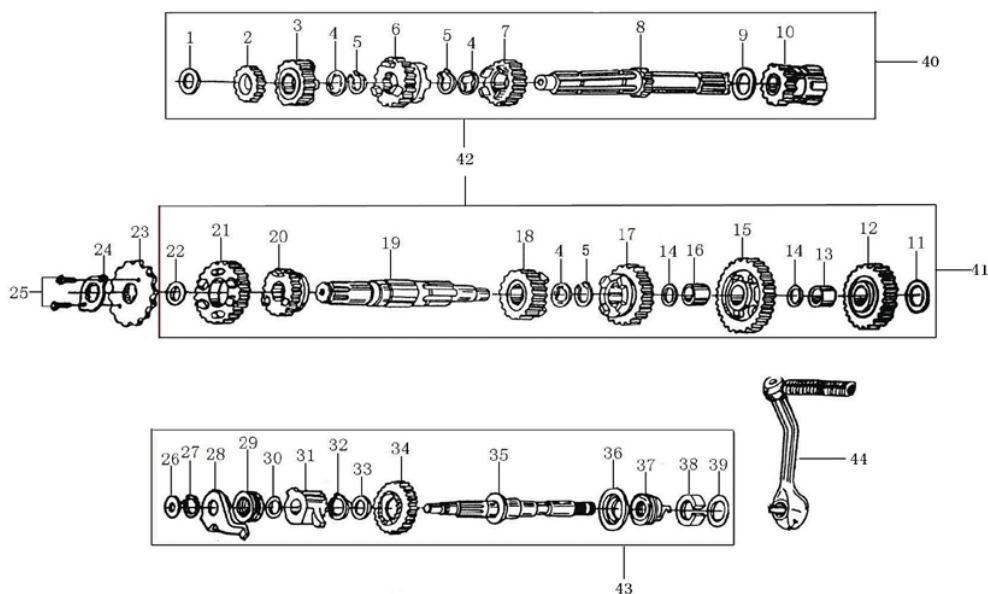
## TRANSMISSION MECHANISM



NO.	(PART CODE )	DESCRIPTION	QTY
1	93301-61521025000	WASHER 15.2×1×25	1
2	23222-LA73-0002	GEAR M-2	1
3	23222-LA73-0005	GEAR M-5	1
4	23223-I006-0000	WASHER	3
5	91402-D002-0100	CIRCLI $\phi 18.5 \times 1.2 \times \phi 22.1$	3
6	23222-LA73-0004	GEAR M-4	1
7	23222-LA73-0003	GEAR M-3	1
8	23221-LA73-0000	TRANSMISSION MAIN SHAFT	1
9	93301-62020527000	WASHER 20.2×0.5×27	1
10	23231-I008-0000	FINAL SHAFT	1
11	93301-61521030000	WASHER 15.2×1×30	1
12	23248-I008-0000	GEAR	1
13	23203-I008-0003	GEAR BUSH	1
14	93301-51650524000	WASHER 16.5×0.5×24	2
15	23242-LA73-0001	GEAR C-1	1
16	23203-I006-0001	GEAR BUSH	1
17	23242-LA73-0003	GEAR C-3	1
18	23242-LA73-0004	GEAR C-4	1
19	23241-I008-0000	TRANSMISSION COUNTER SHAFT	1
20	23242-LA73-0005	GEAR C-5	1
21	23242-LA73-0002	GEAR C-2	1
22	93301-52001027000	WASHER 20×1×27	1
23	23401-I008-0008	DRIVE SPROCKET	1
24	23402-I006-0000	FIXING PLATE,DRIVE SPROCKET	1
25	B057830006001070B	BOLT M6×10	2

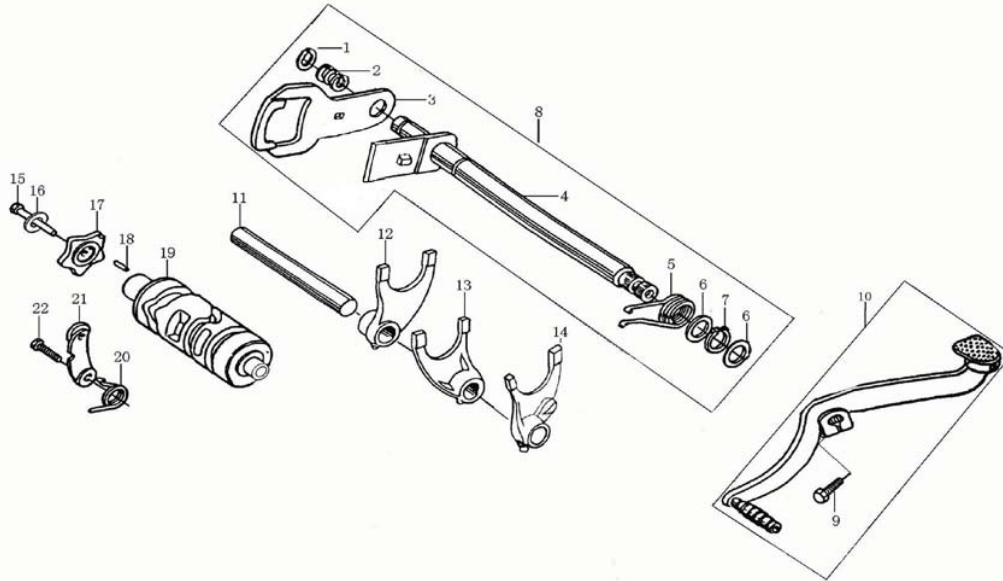


## TRANSMISSION MECHANISM (CONT')



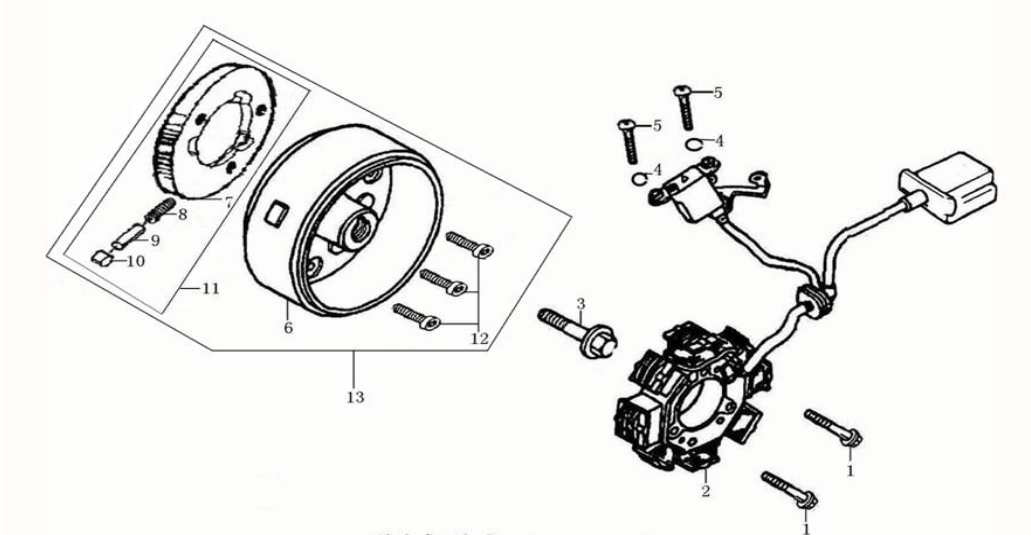
NO.	(PART CODE )	DESCRIPTION	QTY
26	93301-51211018000	WASHER 12.1×1×18	1
27	91402-I008-0000	CIRCLI φ18.5×1.2×φ22.4	1
28	2112B-I008-0000	GUIDE PLATE ASS.	1
29	21119-I008-0000	SPRING, KICK STARTING RATCHET WHEEL	1
30	93301-51611024000	WASHER 16.1×1×24	1
31	21118-I008-0000	STARTING RATCHET	1
32	B0089401160000000	CIRCLIP 16	1
33	93301-62000527000	WASHER 20×0.5×27	1
34	21117-I008-0000	GEAR, KICK STARTER	1
35	21107-I008-0001	PIVOT, KICK STARTING SHAFT	1
36	21104-I008-0000	SEAT, SPRING, KICK STARTING SHAFT	1
37	21106-I008-0000	RETURN SPRING, KICK STARTING SHAFT	1
38	21111-I008-0000	COLLAPSIBLE	1
39	93301-51611030000	WASHER 16.1×1×30	1
40	23220-LA73-0000	MAIN SHAFT, TRANSMISSION	1
41	23240-LA73-0000	COUTERSHAFT TRANSMISSION	1
42	23200-LA73-0100	TRANSMISSION MAIN,COUNTER SHAFT	1
43	21100-I008-0202	KICK STARTING SHAFT ASSEMBLY	1
44	21200-I038-0026	START-UP BAR COMP	1
45			

## GEARSHIFT MECHANISM



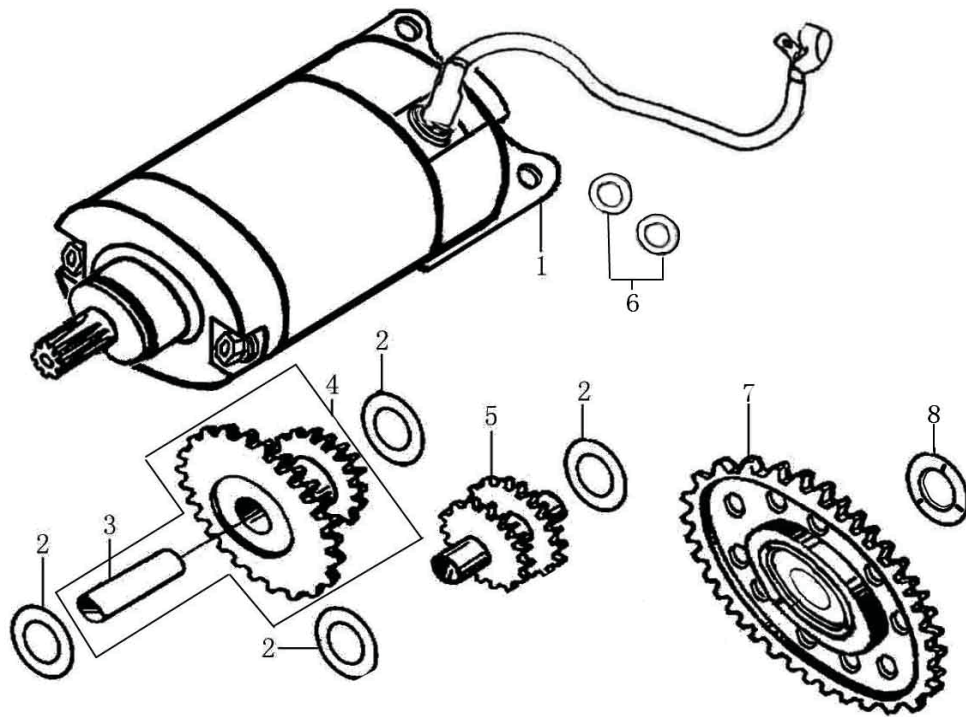
NO.	(PART CODE )	DESCRIPTION	QTY
1	B0089401120000000	CIRCLIP 12	1
2	24303-I006-0000	SPRING, GEARSHIFT PLATE	1
3	24319-I006-0000	GEARSHIFT PLATE	1
4	24301-I006-00000C	GEARSHIFT SHAFT COMP	1
5	24302-I008-0000	RETURN SPRING	1
6	93301-51400520000	WASHER 14×0.5×20	2
7	B0089401140000000	CIRCLIP 14	1
8	24300-I006-00000C	GEARSHIFT LEVER COMP	1
9	B057830006002070G	BOLT M6×20	1
10	24400-I008-0016	GEARSHIFT SHAFT	1
11	24107-I006-0000	SHAFT , GEARSHIFT FORK	1
12	24104-I006-0000	RIGHT FORK, COUNTERSHAFT	1
13	24106-I006-0000	CENTER FORK, MAINSHAFT	1
14	24105-I006-0000	LEFT FORK, COUNTERSHAFT	1
15	91126-I008-00000B	BOLT	1
16	B0009300060000000	WASHER φ6	1
17	24202-I006-0500	STOPPING PLATE	1
18	B0011901040100000	PIN 4×10	1
19	24213-I006-0501	GEARSHIFT DRUM	1
20	24304-I006-0000	SPRING ,LOCATING PLATE	1
21	2434A-I008-0000	LOCATING PLATE ASSY	1
22	B057830006002070B	BOLT M6×20	1

## MAGNETO COMP



NO.	(PART CODE )	DESCRIPTION	QTY
1	B166740A06002870B	BOLT M6×28	2
2	82120-I049-010553	STATOR ASSY,MAGNETO	1
3	91106-I008-0000	BOLT M10×36	1
4	B0009300040000000	WASHER φ4	2
5	B008230004001020B	SCREW M4×10	2
6	82130-I049-0301	ROTOR ASSY,MAGNETO	1
7	21309-I049-0000	ASSEMBLY, SPIDER	1
8	21303-I049-0000	SPRING	3
9	21305-I049-0000	CONE BILOCKAGE	3
10	21304-I049-0000	CLUTCH ROLLER	3
11	21300-I049-0000	ASSEMBLY, OVERRUNNING CLUTCH	1
12	91197-I008-00000C	BOLT M8×18	3
13	82130-I049-0300	ROTOR ASSY,MAGNETO	1

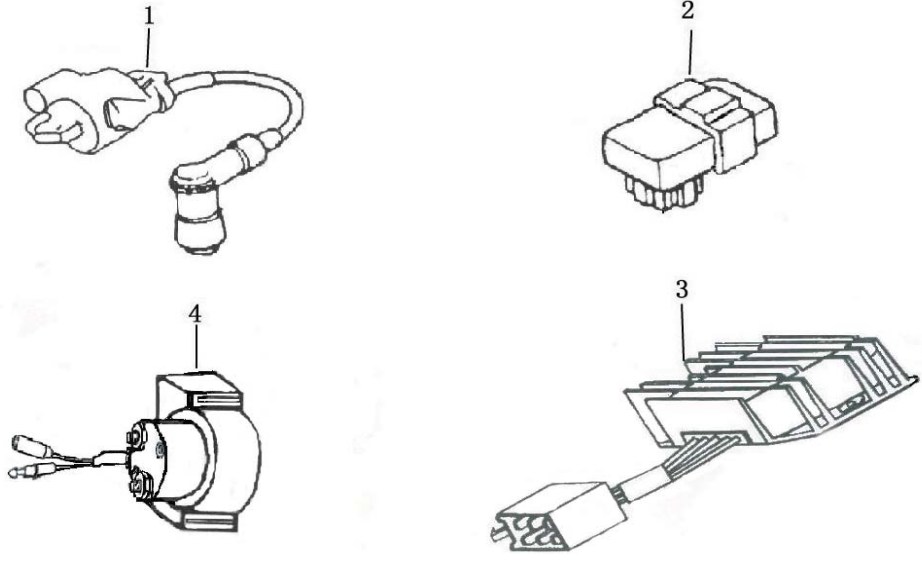
## ELECTRIC STARTING MECHANISM



电启动机构  
ELECTRIC STARTING MECHANISM

NO.	(PART CODE )	DESCRIPTION	QTY
1	82200-ME05-000051	STARTING MOTOR ASSY	1
2	93301-51050518000	WASHER 10.5×0.5×18	4
3	21402-I049-0000	SHAFT,REDUCTION	1
4	2140A-I049-0000	GEAR, REDUCTION, 1	1
5	21401-I049-0000	GEAR, REDUCTION, 2	1
6	82202-ME05-0000	WASHER	2
7	2142A-I049-0100	PLATE GEAR ASSY	1
8	93301-E2203534000	WASHER 22×3.5×34	1

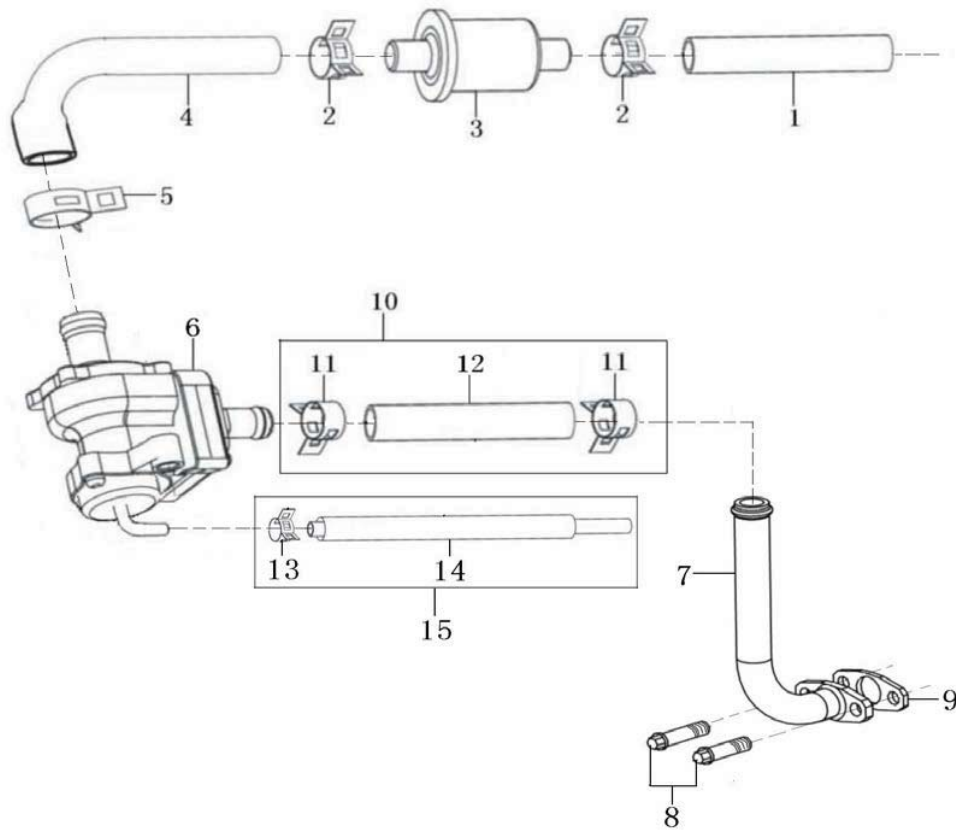
## ELECTRIC



电零件 ELECTRIC

NO.	(PART CODE )	DESCRIPTION	QTY
1	81100-I008-000050	IGNITION COIL	1
2	81200-I008-0000	C.D.I	1
3	83100-I008-010020	RECTIFIER	1
4	82290-I049-000016	RELAY	1

## EXHAUST GAS RECIRCULATION SYSTEM



NO.	(PART CODE )	DESCRIPTION	QTY
1	16156-I008-0100	CONNECTING PIPE	1
2	16157-I008-0000	HOOP	2
3	16160-I008-0000	SEC.AIR BOX VALVE	1
4	16156-I008-0000	CONNECTING PIPE	1
5	16157-I008-0100	HOOP	1
6	18090-J034-0001	GAS PUMP	1
7	1809B-LA66-00000Y	IRON PIPE	1
8	B166740A06001670X	BOLT M6×16	2
9	90268-DA80-0000	PAPER GASKET	1
10	18110-LA66-0000	RUBBER PIPE	1
11	18097-I008-0000	CLAMP	2
12	18092-LA66-0000	RUBBER PIPE	1
13	18097-I008-0100	CLAMP	1
14	18092-I008-0103	RUBBER PIPE	1
15	18110-I008-0103	RUBBER PIPE	1

